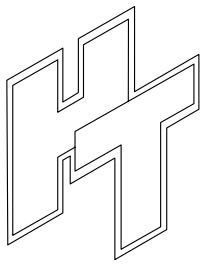
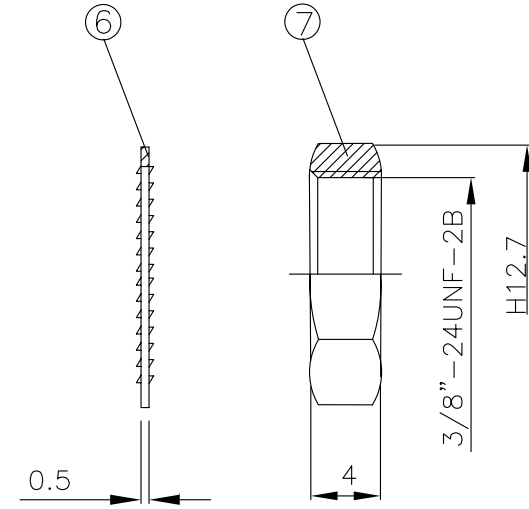
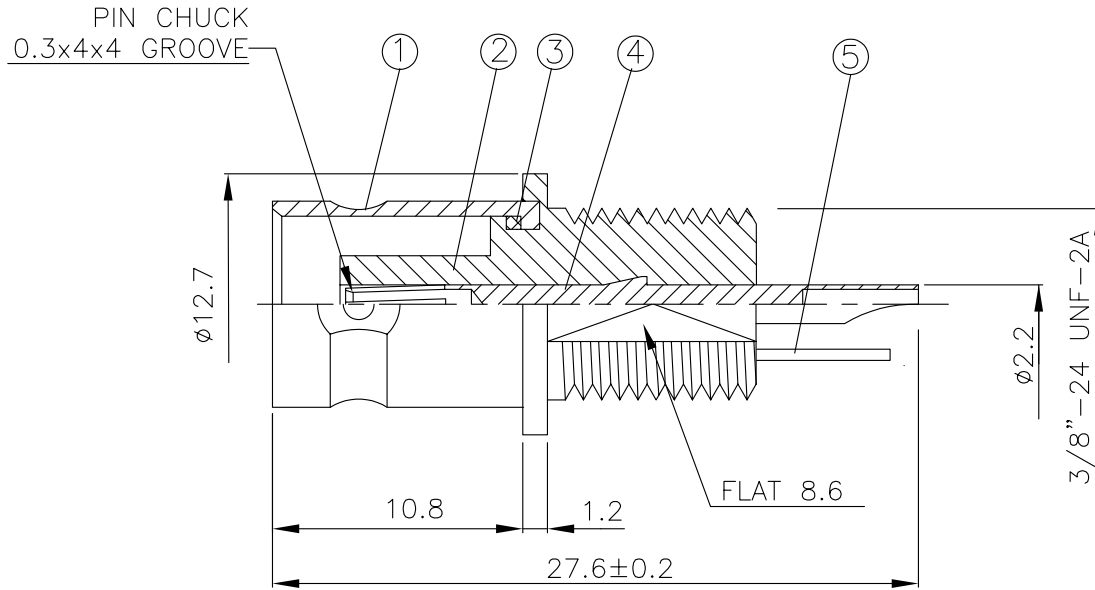
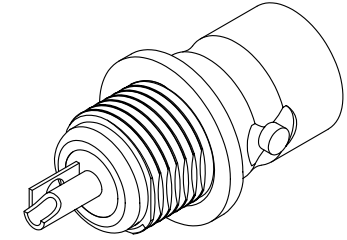


NO	DESCRIPTION	MATERIAL	Q'TY	FINISH	REMARK
1	BODY	BRASS	1	NICKEL	B-02A
2	INSULATION	ABS	1	ABS	B-02B
3	WASHER	BRASS	1	NICKEL	B-02C
4	PIN	P.BRONZE	1	GOLD	B-02D
5	BRAIN GROUNDING	BRASS	1	NICKEL	B-02E
6	WASHER	BRASS	1	NICKEL	B-02F
7	NUT	BRASS	1	NICKEL	B-02G



**HUS-TSAN GROUP CO., LTD.**  
P.O.BOX 40-76.TAINAN.TAIWAN,R.O.C.  
**TITLE** BNC BULKHEND FEMALE  
RECEPTACLE ISOLATED GROUND  
**PART NO.** BNC-18-DGN  
**DRAWING NO.** BNC 18 DGN

**DRAWN** MARY **DATE** 96.06.28  
**CHECKED** 蘇志欣 **DATE**  
**Q.A.** 蘇姿潔 **DATE**  
**APPROVAL** 徐燦霖 **DATE**  
**REVISION** **DATE**

**DIMENSIONS ARE IM MILLIMETERS**  
**UNLESS OTHERWISE SPECIFIED TOLERANCE**  
0.5-5=±0.2 120-315=±1  
5-30=±0.4 315-1000=±1.6  
30-120=±0.6 1000-2000=±2.4  
**SCALE** 4:1 **SIZE** A

REVISION	
DESCRIPTION	ENGINEER