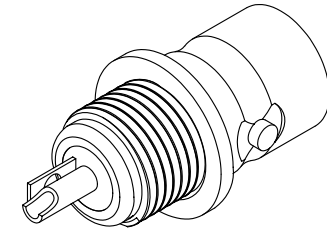
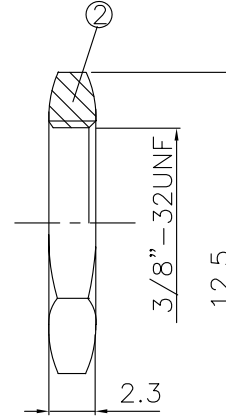
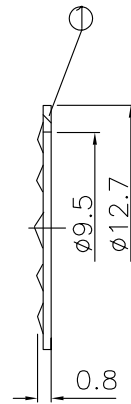


NO	DESCRIPTION	MATERIAL	Q'TY	FINISH
1	WASHER	BRASS	1	NICKEL
2	NUT	BRASS	1	NICKEL
3	WASHER	BRASS	1	NICKEL
4	INSULATION	DELRIN	1	DELRIN
5	PIN	BRASS	1	GOLD
6	BODY	BRASS	1	NICKEL
7	INSULATION	DELRIN	1	DELRIN



D

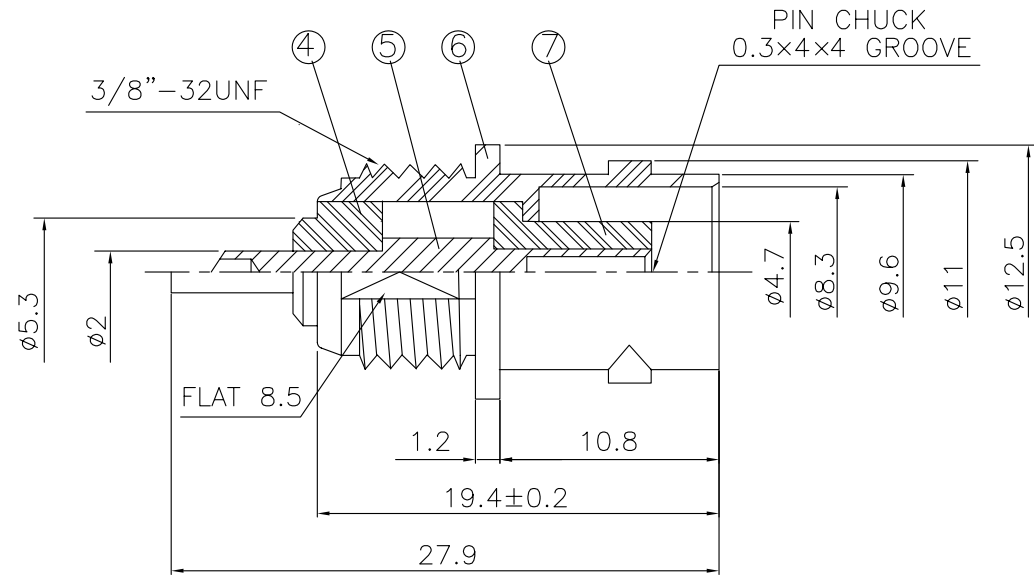
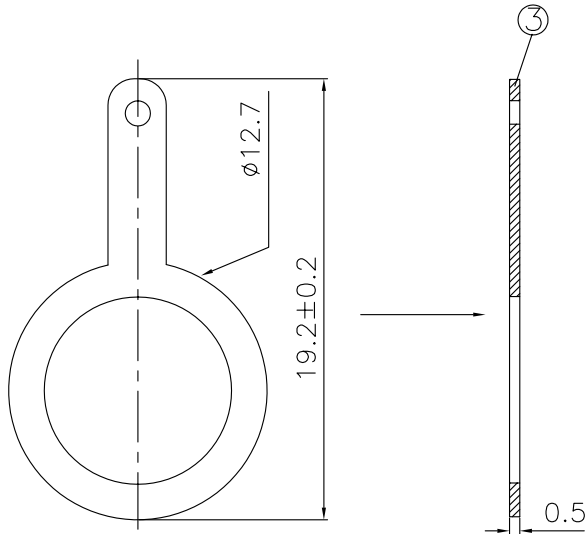
D

C

C

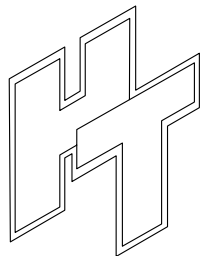
B

B



A

A



HUS-TSAN GROUP CO., LTD.
P.O. BOX 40-76. TAINAN, TAIWAN, R.O.C.

TITLE BNC BULKHEAD FEMALE RECEPTACLE

PART NO. BNC-15-DGN

DRAWING NO. BNC 15 DGN

DRAWN MARY DATE 96.06.28

CHECKED 蘇志欣 DATE

Q.A. 蘇姿潔 DATE

APPROVAL 徐燦霖 DATE

REVISION DATE

DIMENSIONS ARE IN MILLIMETERD

UNLESS OTHERWISE SPECIFIED TOLERANCE

0.5-5=±0.2 120-315=±1

5-30=±0.4 315-1000=±1.6

30-120=±0.6 1000-2000=±2.4

SCALE 4:1 SIZE A

REVISION

DESCRIPTION ENGINEER

4

3

2

1