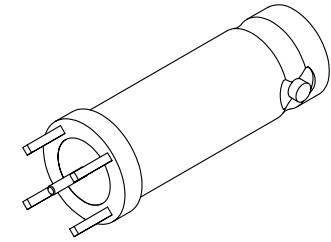
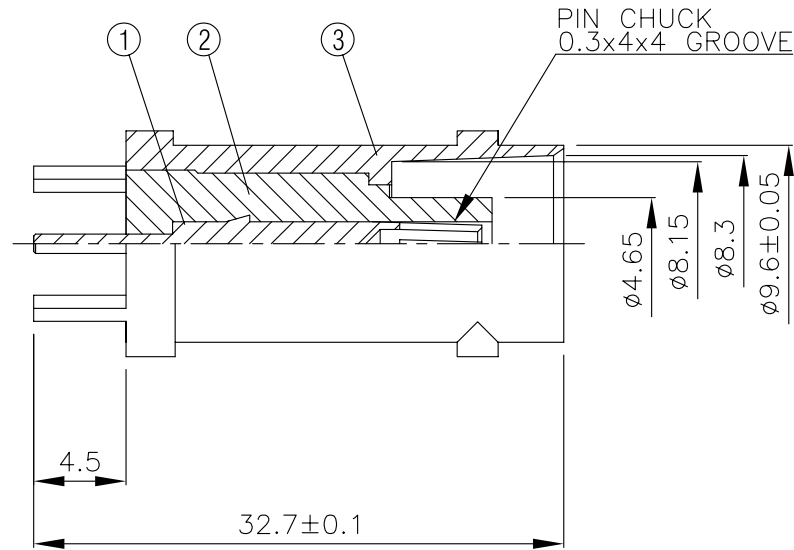
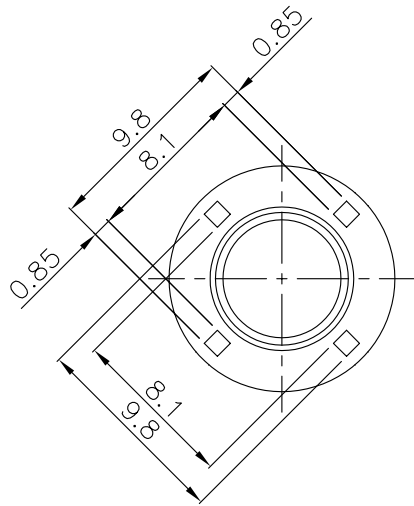


NO	DESCRIPTION	MATERIAL	Q'TY	FINISH
1	PIN	BRASS	1	GOLD
2	INSULATION	TEFLON	1	TEFLON
3	BODY	BRASS	1	NICKEL



	<b>HUS-TSAN GROUP CO., LTD.</b> P.O.BOX 40-76.TAINAN.TAIWAN,R.O.C.		DRAWN MARY DATE 96.06.18	DIMENSIONS ARE IN MILLIMETERS		REVISION	
	TITLE BNC FEMALE PCB MOUNT		CHECKED 蘇志欣 DATE	UNLESS OTHERWISE SPECIFIED TOLERANCE		DESCRIPTION	ENGINEER
	PART NO. BNC-11V6-TGN		Q.A. 蘇姿潔 DATE	0.5-5=±0.2 120-315=±1 5-30= ±0.4 315-1000=±1.6 30-120±0.6 1000-2000=±2.4			
	DRAWING NO. BNC 11V6 TGN		APPROVAL 徐燦霖 DATE	SCALE 4:1 SIZE A			
			REVISION DATE				