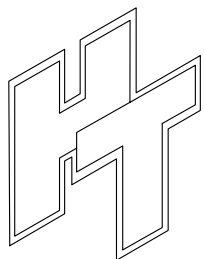
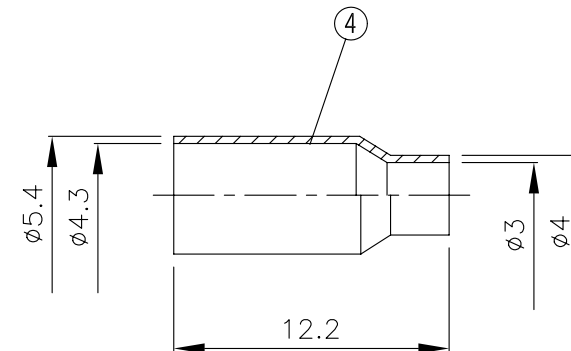
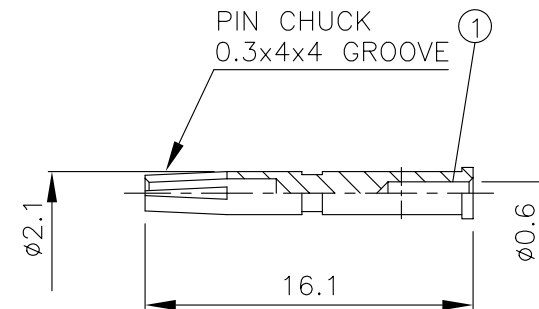
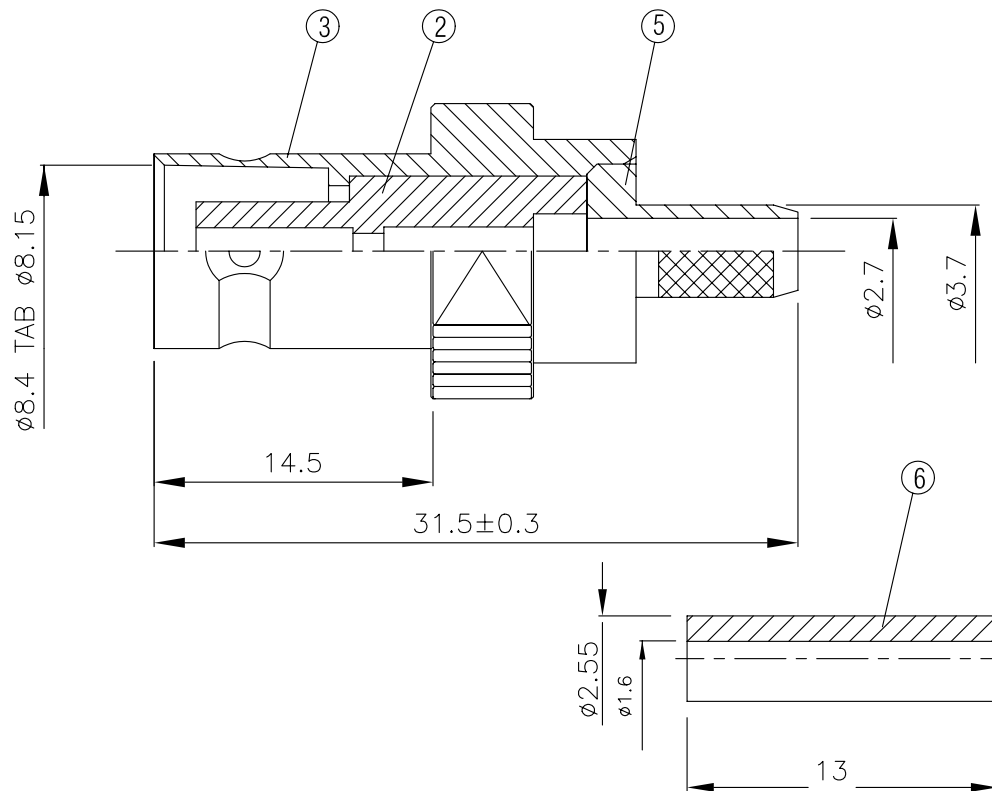
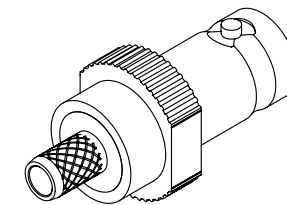
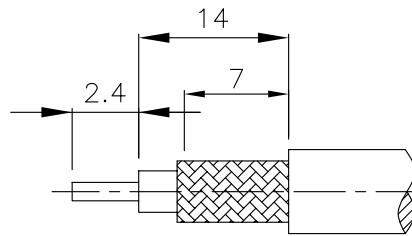


NO	DESCRIPTION	MATERIAL	Q'TY	FINISH
1	PIN	BRASS	1	GOLD
2	INSULATION	DELTRIN	1	DELTRIN
3	BODY 1	BRASS	1	NICKEL
4	RING	BRASS	1	NICKEL
5	BODY 2	BRASS	1	NICKEL
6	INSULATION	DELTRIN	1	DELTRIN



HUS-TSAN GROUP CO., LTD.

P.O.BOX 40-76.TAINAN.TAIWAN,R.O.C.

TITLE BNC FEMALE CRIMP FOR
RG-174/U,316/U

PART NO. BNC-07L-DGN

DRAWING NO. BNC 07L DGN

DRAWN	MARY	DATE	95.08.03
CHECKED	蘇姿潔	DATE	
Q.A.	馮健華	DATE	
APPROVAL	徐燦霖	DATE	
REVISION		DATE	

DIMENSIONS ARE IN MILLIMETERS

UNLESS OTHERWISE SPECIFIED
TOLERANCE

0.5-5=±0.2	120-315=±1
5-30=±0.4	315-1000=±1.6
30-120±0.6	1000-2000=±2.4

SCALE 4:1 SIZE A

REVISION

DESCRIPTION	ENGINEER