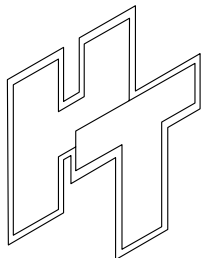
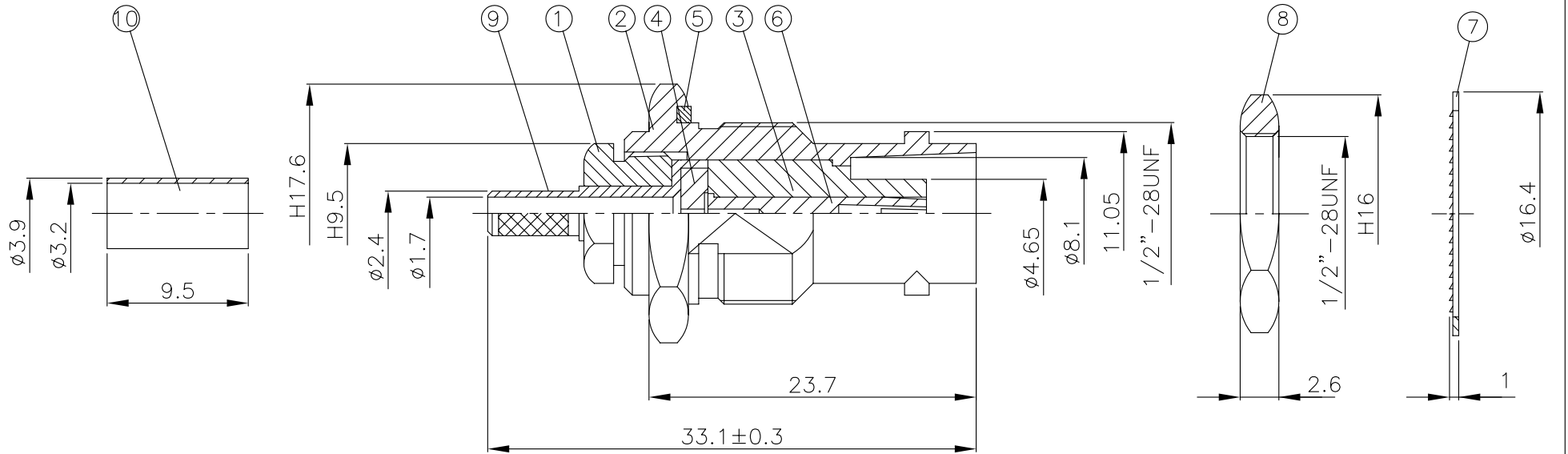
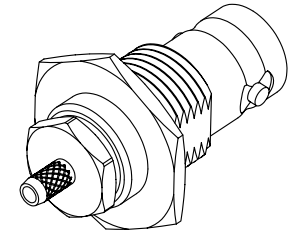
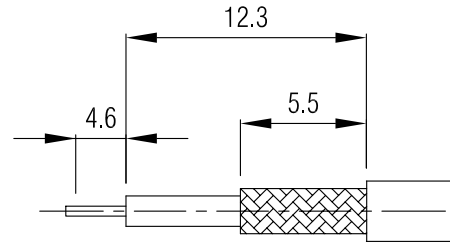


NO	DESCRIPTION	MATERIAL	Q'TY	FINISH	REMARK
1	NUT	BRASS	1	NICKEL	N-0004-N
2	BODY 1	BRASS	1	NICKEL	B-BNC0193-N
3	INSULATION	TEFLON	1	TEFLON	I-0089T
4	INSULATION	TEFLON	1	TEFLON	I-0448T
5	GASKET	RUBBER	1	RUBBER	RU-0006
6	PIN	BRASS	1	GOLD	P-TNC0019-G
7	WASHER	BRASS	1	NICKEL	W-0001-N
8	NUT	BRASS	1	NICKEL	N-0003-N
9	BODY 2	BRASS	1	NICKEL	B-TNC0919-N
10	RING	BRASS	1	NICKEL	R-0002-N



HUS-TSAN GROUP CO., LTD

P.O. BOX 40-76.TAINAN TAIWAN,R.O.C.

TITLE BNC BULKHADE FEMALE CRIMP FOR RG316U

PART NO. BNC-06LV1-TGN

DRAWING NO. BNC 06LV1 TGN

DRAWN MARY DATE 88.09.23

CHECKED 黃巧君 DATE

Q.A. 蘇姿潔 DATE

APPROVAL 徐燦霖 DATE

REVISION DATE

DIMENSIONS ARE IN MILLMETERS

UNLESS OTHERWISE SPECIFIED TOLERANCES

0.5-5= \pm 0.2 120-315= \pm 1

5-30= \pm 0.4 315-1000= \pm 1.6

30-120= \pm 0.6 1000-2000= \pm 2.4

SCALE 4:1 SIZE A

REVISION

DESCRIPTION ENGINEER