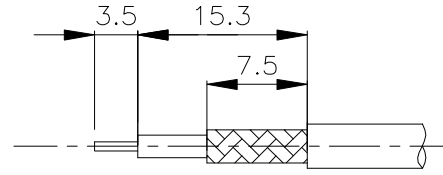
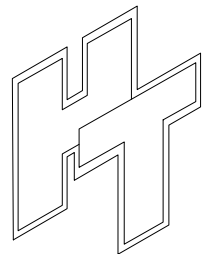
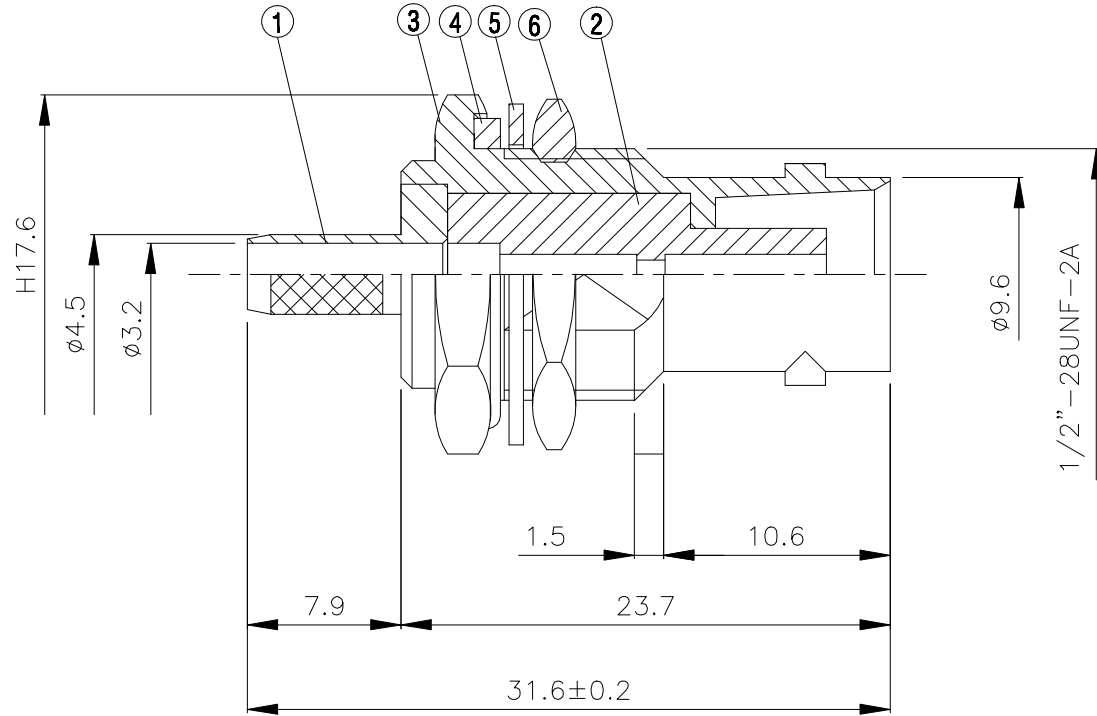
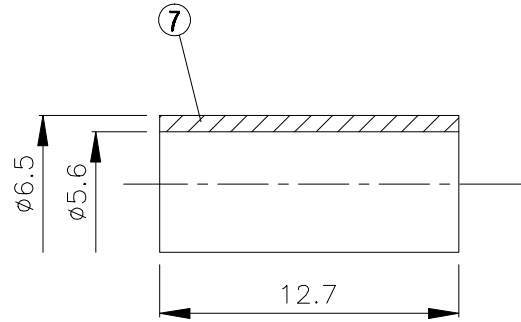
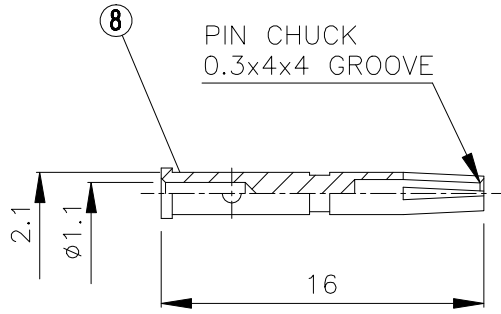
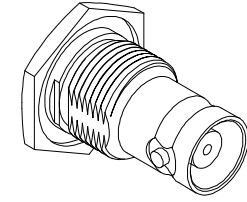


NO	DESCRIPTION	MATERIAL	Q'TY	FINISH
1	BODY	BRASS	1	NICKEL
2	INSULATION	TEFLON	1	TEFLON
3	BODY	BRASS	1	NICKEL
4	GASKET	SI RUBBER	1	RUBBER
5	WASHER	BRASS	1	NICKEL
6	NUT	BRASS	1	NICKEL
7	RING	BRASS	1	NICKEL
8	PIN	BRASS	1	GOLD



(Recommended Stripping Dimension)



HUS-TSAN GROUP CO., LTD.

P.O.BOX 40-76.TAINAN.TAIWAN,R.O.C.

TITLE
BNC FEMALE CRIMP FOR RG-58/U

PART NO. **BNC-06F-TGN**

DRAWING NO. **BNC 06F TGN**

DRAWN **MARY** DATE **96.02.12**

CHECKED **蘇志欣** DATE **96.04.20**

Q.A. **蘇姿潔** DATE

APPROVAL **徐燦霖** DATE

REVISION DATE

DIMENSIONS ARE IN MILLIMETERS

UNLESS OTHERWISE SPECIFIED TOLERANCE

0.5-5=±0.2 120-315=±1

5-30=±0.4 315-1000=±1.6

30-120=±0.6 1000-2000=±2.4

SCALE **4:1** SIZE **A**

REVISION

DESCRIPTION ENGINEER

A

A

4

3

2

1