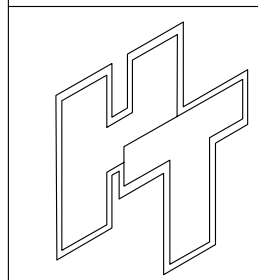
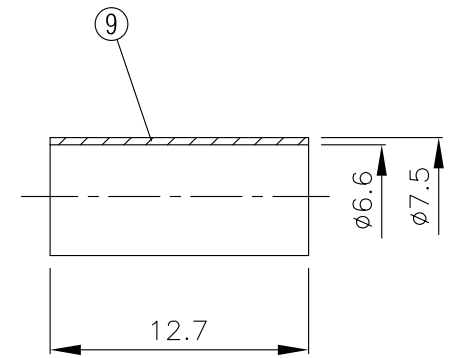
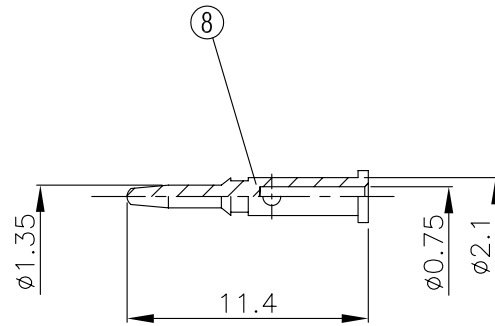
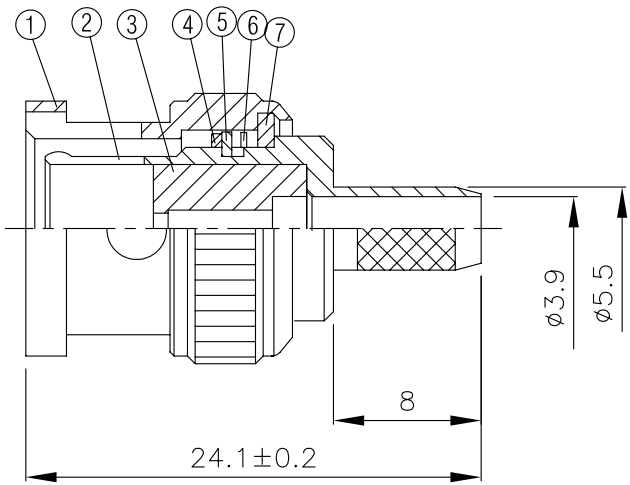
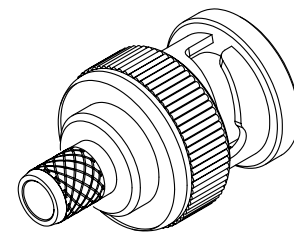


NO	DESCRIPTION	MATERIAL	Q'TY	FINISH	REMARK
1	BODY 1	BRASS	1	NICKEL	B-BNC0184-N
2	BODY 2	BRASS	1	NICKEL	B-BNC0425-N
3	INSULATION	TEFLON	1	TEFLON	I-0201T
4	GASKET	SI RUBBER	1	RUBBER	RU-0010
5	WASHER 1	BRASS	1	NICKEL	W-0026
6	SPRING	BRASS	1	NICKLE	W-0027
7	WASHER 2	BRASS	1	NICKEL	W-0025
8	PIN	BRASS	1	GOLD	P-BNC0278-G
9	RING	BRASS	NICKEL	R-0018	



HUS-TSAN GROUP CO., LTD.
P.O.BOX 40-76.TAINAN.TAIWAN,R.O.C.
TITLE BNC MALE CRIMP FOR RG 59/U
PART NO. BNC-05G-TGN
DRAWING NO. BNC 05G TGN

DRAWN	MARY	DATE	96.06.29
CHECKED	蘇志欣	DATE	
Q.A.	蘇姿潔	DATE	
APPROVAL	徐燦霖	DATE	
REVISION		DATE	

DIMENSIONS ARE IN MILLIMETERS			
UNLESS OTHERWISE SPECIFIED TOLERANCE			
0.5-5=±0.2	120-315=±1		
5-30= ±0.4	315-1000=±1.6		
30-120±0.6	1000-2000=±2.4		
SCALE	4:1	SIZE	A

REVISION	
DESCRIPTION	ENGINEER