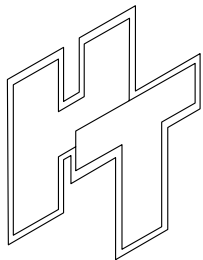
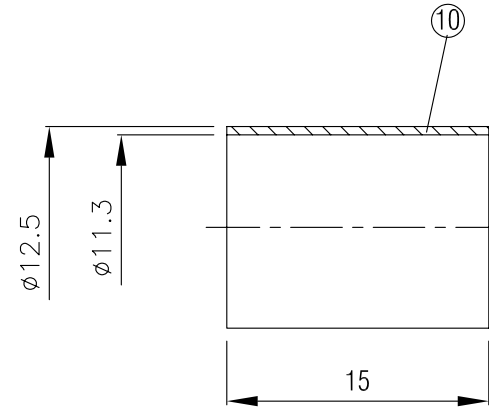
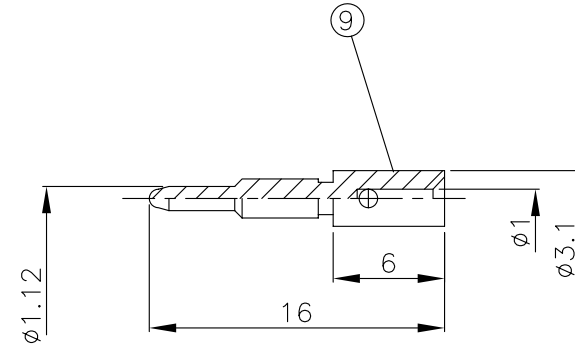
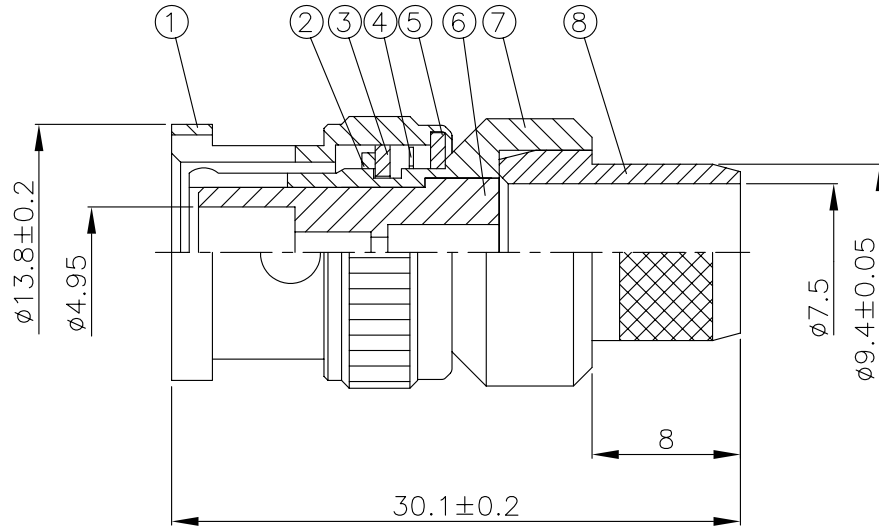
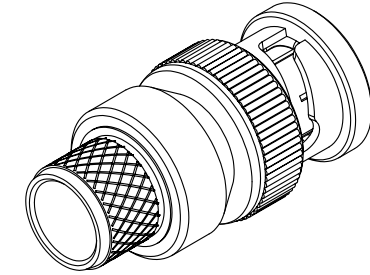
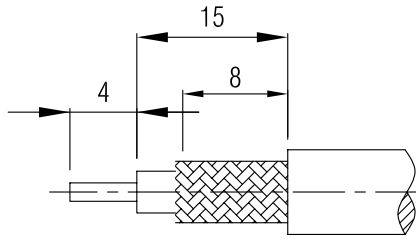


NO	DESCRIPTION	MATERIAL	Q'TY	FINISH
1	BODY 1	BRASS	1	NICKEL
2	RUBBER	SI RUBBER	1	RUBBER
3	WASHER 1	BRASS	1	NICKEL
4	WASHER 2	BRASS	1	NICKEL
5	WASHER 3	BRASS	1	NICKEL
6	INSULATION	TEFLON	1	TEFLON
7	BODY 2	BRASS	1	NICKEL
8	BODY 3	BRASS	1	NICKEL
9	PIN	BRASS	1	GOLD
10	RING	BRASS	1	NICKEL



HUS-TSAN GROUP CO., LTD

P.O. BOX 40-76.TAINAN TAIWAN,R.O.C.

TITLE BNC MALE CRIMP FOR RG 213/U

PART NO. BNC-05B-TGN

DRAWING NO. BNC 05B TGN

DRAWN MARY DATE 96.02.09

CHECKED 蘇姿潔 DATE

Q.A. 馮健華 DATE

APPROVAL 徐燦霖 DATE

REVISION DATE

DIMENSIONS ARE IN MILLMETERS

UNLESS OTHERWISE SPECIFIED TOLERANCES

0.5-5=±0.2 120-315=±1  
5-30=±0.4 315-1000=±1.6  
30-120=±0.6 1000-2000=±2.4

SCALE 4:1 SIZE A

REVISION

DESCRIPTION ENGINEER