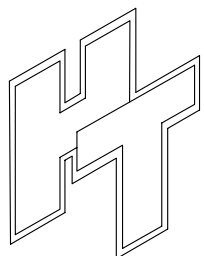
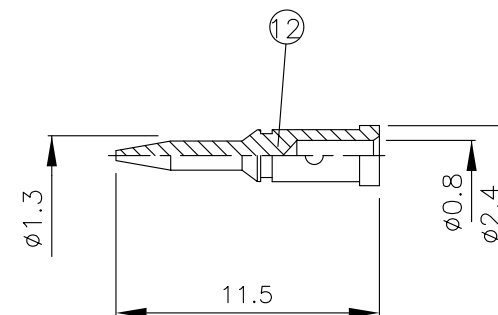
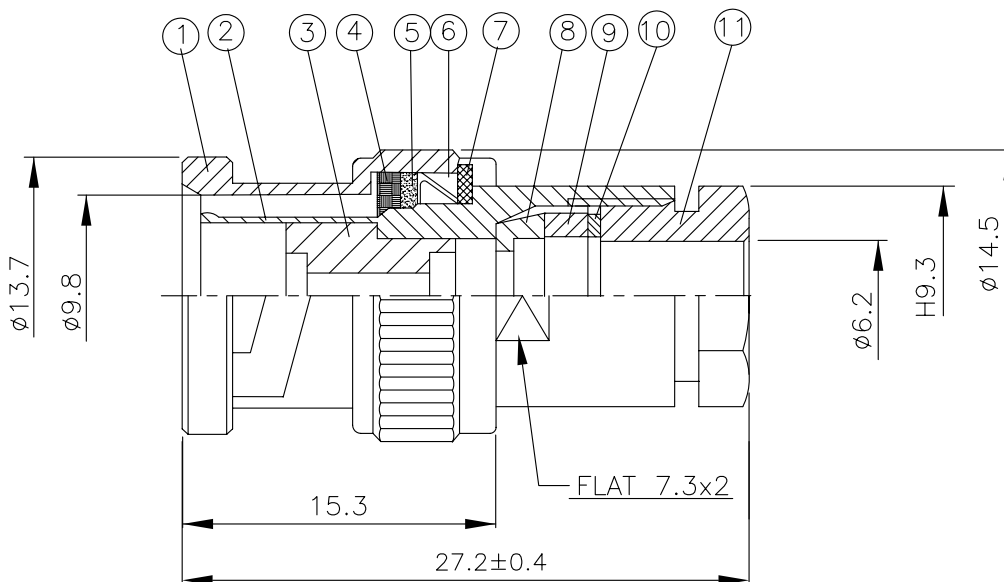
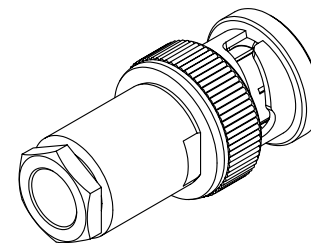


NO	DESCRIPTION	MATERIAL	Q'TY	FINISH
1	SHELL	BRASS	1	NICKEL
2	BODY	BRASS	1	NICKEL
3	INSULATION	DELRIN	1	DELRIN
4	GASKET	RUBBER	1	RUBBER
5	WASHER	BRASS	1	NICKEL
6	SPRING	SK-5	1	NICKEL
7	WASHER	BRASS	1	NICKEL
8	SLEEVE	BRASS	1	NICKEL
9	GASKET	BRASS	1	NICKEL
10	WASHER	BRASS	1	NICKEL
11	NUT	BRASS	1	NICKEL
12	PIN	BRASS	1	GOLD



HUS-TSAN GROUP CO., LTD.

P.O. BOX 40-76. TAINAN. TAIWAN, R.O.C.

TITLE BNC MALE CLAMP FOR
RG-59/U (75 OHM)

PART NO. BNC-01G-DGN

DRAWING NO. BNC 01G DGN

DRAWN MARY DATE 96.06.29

CHECKED 蘇志欣 DATE

Q.A. 蘇姿潔 DATE

APPROVAL 徐燦霖 DATE

REVISION DATE

DIMENSIONS ARE IN MILLIMETERS

UNLESS OTHERWISE SPECIFIED
TOLERANCE

0.5-5 = ± 0.2 120-315 = ± 1

5-30 = ± 0.4 315-1000 = ± 1.6

30-120 = ± 0.6 1000-2000 = ± 2.4

SCALE 4:1 SIZE A

REVISION

DESCRIPTION ENGINEER