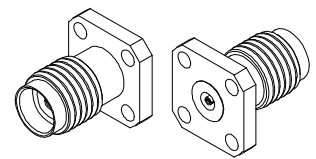
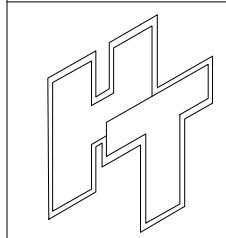
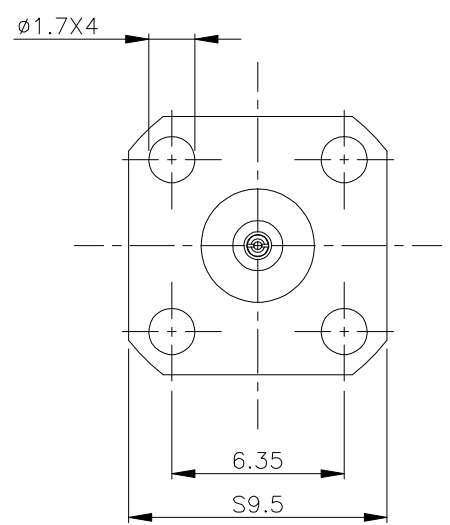
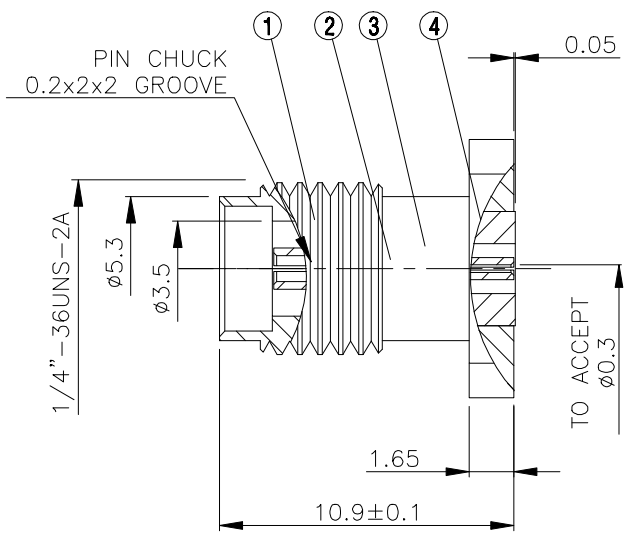


NO	DESCRIPTION	MATERIAL	Q'TY	FINISH	REMARK
1	BODY 1	BRASS	1	NICKEL	B-3501550-N
2	INSULATION	TEFLON	1	TEFLON	I-0697T
3	PIN	BE CU	1	GOLD	P-3501050-G
4	BODY 2	BRASS	1	GOLD	B-2401512-G



D
C
B
A



HUS-TSAN GROUP CO., LTD.
P.O.BOX 40-76.TAINAN.TAIWAN,R.O.C.
TITLE 350 FEMALE 4 HOLE MOUNT
TO ACCEPT ø0.3
PART NO. 350-01V5-TGN-1
DRAWING NO. 350-01V5-TGN-1

DRAWN	蘇志欣	DATE	99.01.19
CHECKED	蘇姿潔	DATE	
Q.A.	林妙樺	DATE	
APPROVAL	徐燦霖	DATE	
REVISION		DATE	

DIMENSIONS ARE IN MILLIMETERS			
UNLESS OTHERWISE SPECIFIED TOLERANCE			
0.5-5=±0.2	120-315=±1		
5-30=±0.4	315-1000=±1.6		
30-120±0.6	1000-2000=±2.4		
SCALE	4:1	SIZE	A

REVISION	
DESCRIPTION	ENGINEER

4 3 2 1