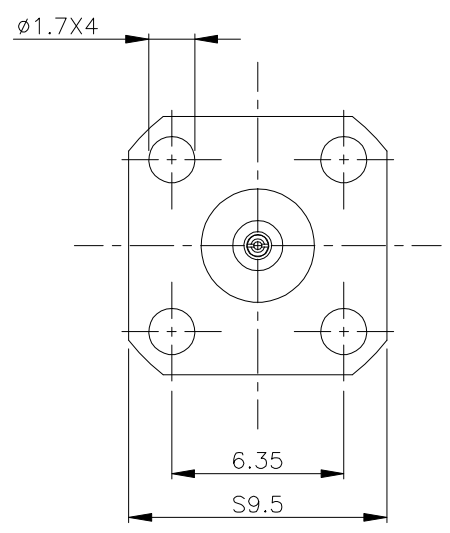
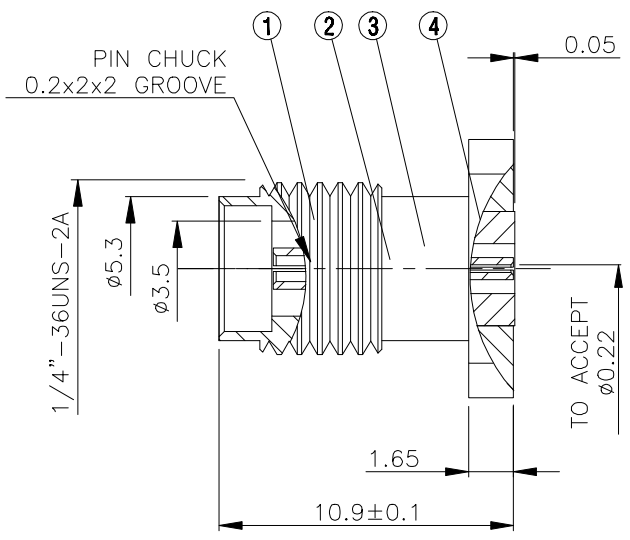
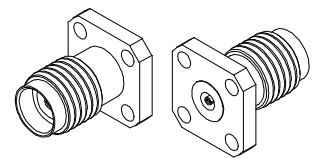
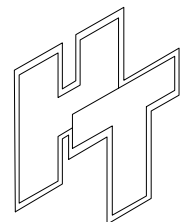






NO	DESCRIPTION	MATERIAL	Q'TY	FINISH	REMARK
1	BODY 1	BRASS	1	NICKEL	B-3501550-N
2	INSULATION	TEFLON	1	TEFLON	I-0697T
3	PIN	BE CU	1	GOLD	P-3501039-G
4	BODY 2	BRASS	1	GOLD	B-2401512-G



	HUS-TSAN GROUP CO., LTD. P.O. BOX 40-76.TAINAN.TAIWAN,R.O.C.		DRAWN  DATE 99.01.11	DIMENSIONS ARE IN MILLIMETERS		REVISION	
	TITLE 350 FEMALE 4 HOLE MOUNT TO ACCEPT $\phi 0.22$		CHECKED  DATE	UNLESS OTHERWISE SPECIFIED TOLERANCE		DESCRIPTION	ENGINEER
	PART NO. 350-01V5-TGN		Q.A.  DATE	$0.5-5 = \pm 0.2$	$120-315 = \pm 1$		
	DRAWING NO. 350-01V5-TGN		APPROVAL  DATE	$5-30 = \pm 0.4$	$315-1000 = \pm 1.6$		
			REVISION DATE	$30-120 = \pm 0.6$	$1000-2000 = \pm 2.4$		
			SCALE 4:1	SIZE A			

4

3

2

1

D

D

C

C

B

B

A

A

4

3

2

1