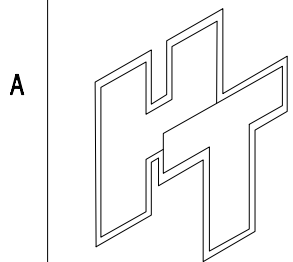
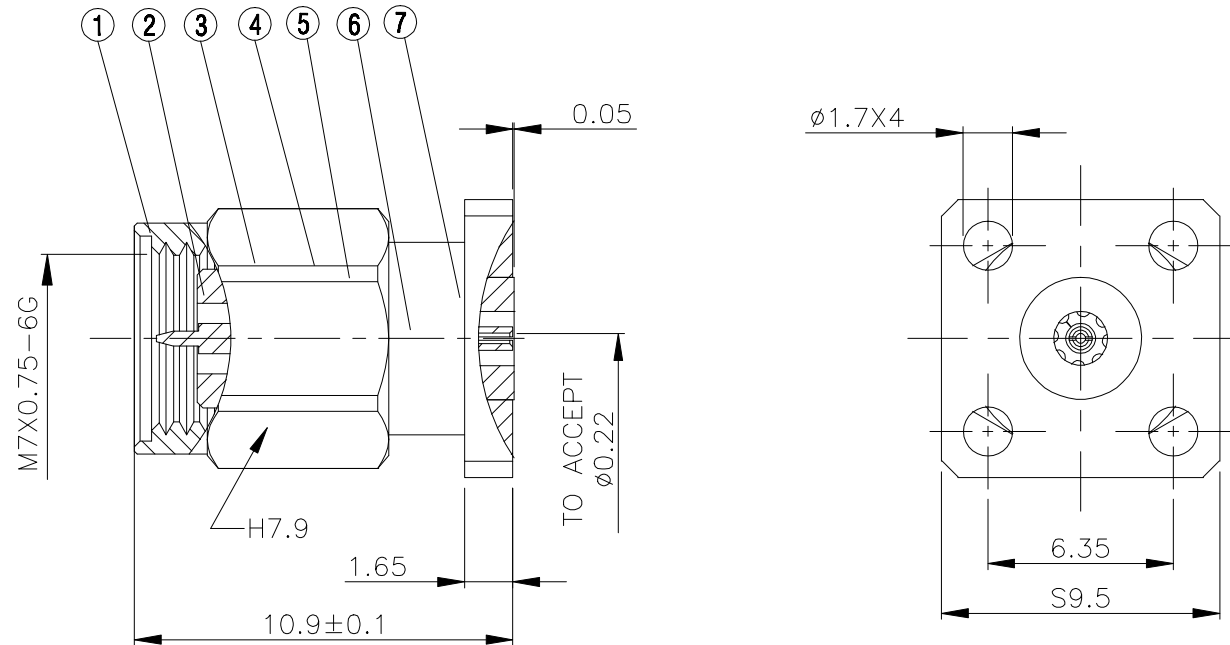
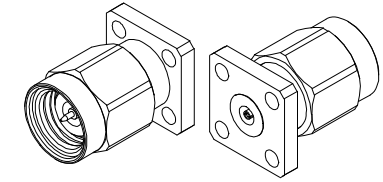


NO	DESCRIPTION	MATERIAL	Q'TY	FINISH	REMARK
1	BODY 1	SUS303	1	PASSIVATED	B-2401517-SUS
2	BODY 5	SUS303	1	PASSIVATED	B-2401519-SUS
3	GASKET	SI RUBBER	1	RUBBER	RU-0008
4	WASHER	SUS303	1	PASSIVATED	W-0012
5	INSULATION	UPE	1	UPE	I-0688P
6	PIN	BE CU	1	GOLD	P-2401029-G
7	BODY 5	BRASS	1	GOLD	B-2401512-G



HUS-TSAN GROUP CO., LTD.
P.O. BOX 40-76. TAINAN. TAIWAN, R.O.C.
TITLE 240 MALE 4 HOLE MOUNT
TO ACCEPT $\phi 0.22$
PART NO. 240-03V5-PGSUS
DRAWING NO. 240-03V5-PGSUS

DRAWN 蘇志欣 **DATE** 98.11.13
CHECKED 蘇姿潔 **DATE**
Q.A. 林妙樺 **DATE**
APPROVAL 徐燦霖 **DATE**
REVISION **DATE**

DIMENSIONS ARE IN MILLIMETERS
UNLESS OTHERWISE SPECIFIED TOLERANCE
0.5-5=±0.2 120-315=±1
5-30=±0.4 315-1000=±1.6
30-120±0.6 1000-2000=±2.4
SCALE 4:1 **SIZE A**

REVISION	
DESCRIPTION	ENGINEER