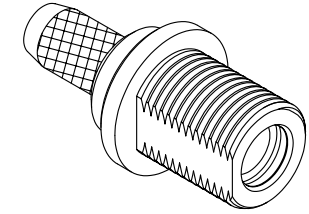
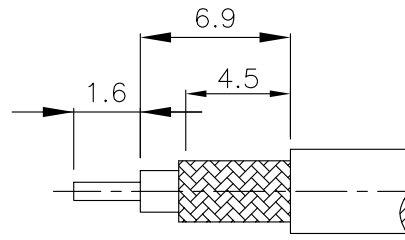


NO	DESCRIPTION	MATERIAL	Q'TY	FINISH	REMARK
1	BODY 1	BRASS	1	GOLD	B-MCX0040-G
2	INSULATION	TEFLON	1	TEFLON	I-0330T
3	BODY 2	BRASS	1	GOLD	B-MMCX0688-G
4	WASHER	BRASS	1	GOLD	W-0009-G
5	NUT	BRASS	1	GOLD	N-0012-G
6	PIN	BE CU	1	GOLD	P-MMCX0118-G
7	RING	BRASS	1	GOLD	R-0001-G



D

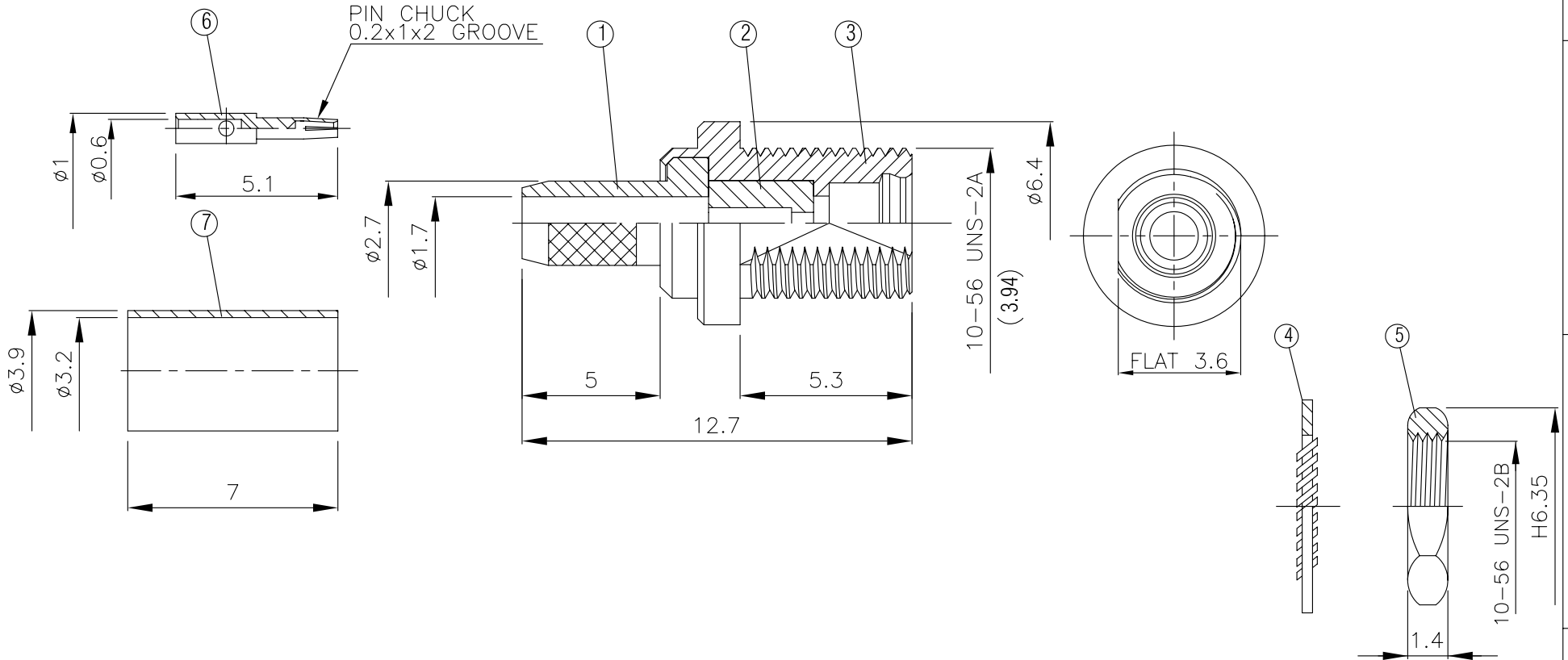
D

C

C

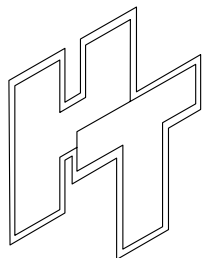
B

B



A

A



HUS-TSAN GROUP CO., LTD.

P.O.BOX 40-76.TAINAN.TAIWAN,R.O.C.

TITLE MMCX FEMALE CRIMP BULKHEAD FOR RG-174/U

PART NO. MMCX-16LV1-TGG

DRAWING NO. MMCX 16LV1 TGG

DRAWN MARY DATE 95.11.27

CHECKED 蘇姿潔 DATE

Q.A. 馮健華 DATE

APPROVAL 徐燦霖 DATE

REVISION DATE

DIMENSIONS ARE IN MILLIMETERS

UNLESS OTHERWISE SPECIFIED TOLERANCE

0.5-5=±0.2 120-315=±1

5-30=±0.4 315-1000=±1.6

30-120±0.6 1000-2000=±2.4

SCALE 4:1 SIZE A

REVISION

DESCRIPTION	ENGINEER

4

3

2

1