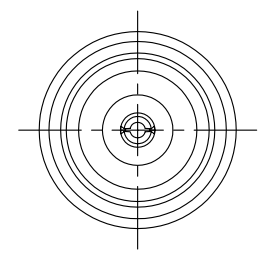
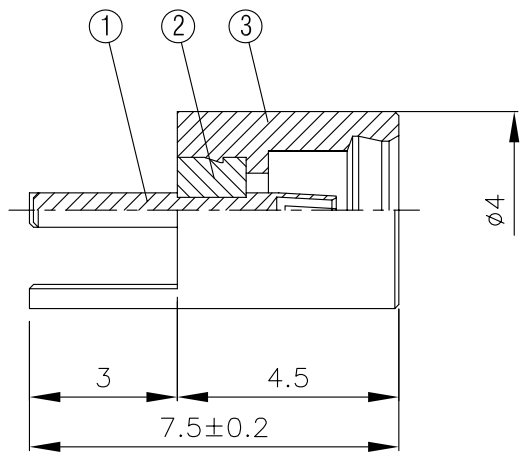
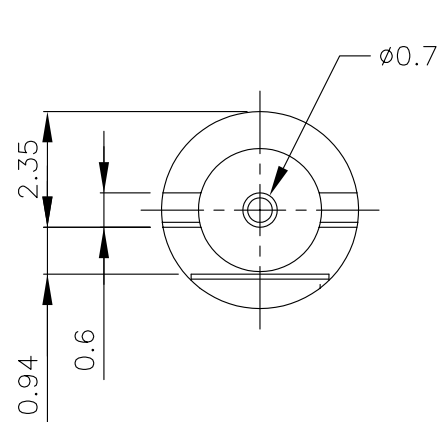
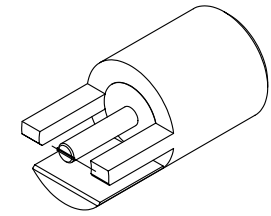


NO	DESCRIPTION	MATERIAL	Q'TY	FINISH	REMARK
1	PIN	BE CU	1	GOLD	P-MMCX0016-G
2	INSULATION	TEFLON	1	TEFLON	I-0101T
3	BODY	BRASS	1	GOLD	B-MMCX0534-G



	HUS-TSAN GROUP CO., LTD.		DRAWN	MARY	DATE	96.05.18	DIMENSIONS ARE IN MILLIMETERS		REVISION	
	P.O.BOX 40-76.TAINAN.TAIWAN,R.O.C.		CHECKED	蘇姿潔	DATE		UNLESS OTHERWISE SPECIFIED TOLERANCE		DESCRIPTION	ENGINEER
	TITLE MMCX FEMALE END LAUNCH RECEPTACLE (0.79)		Q.A.	馮健華	DATE		0.5-5=±0.2	120-315=±1		
	PART NO. MMCX-12-TGG		APPROVAL	徐燦霖	DATE		5-30= ±0.4	315-1000=±1.6		
	DRAWING NO. MMCX 12 TGG		REVISION		DATE		30-120±0.6	1000-2000=±2.4		
						SCALE	4:1	SIZE	A	