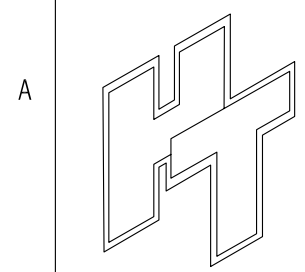
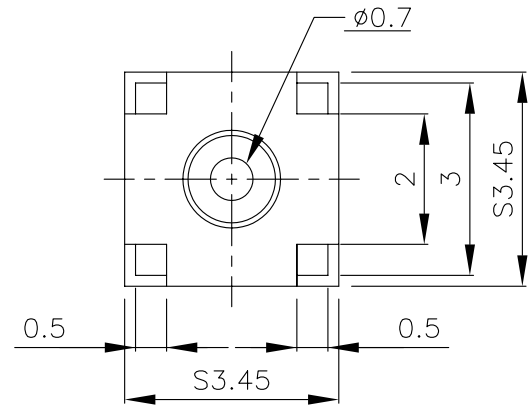
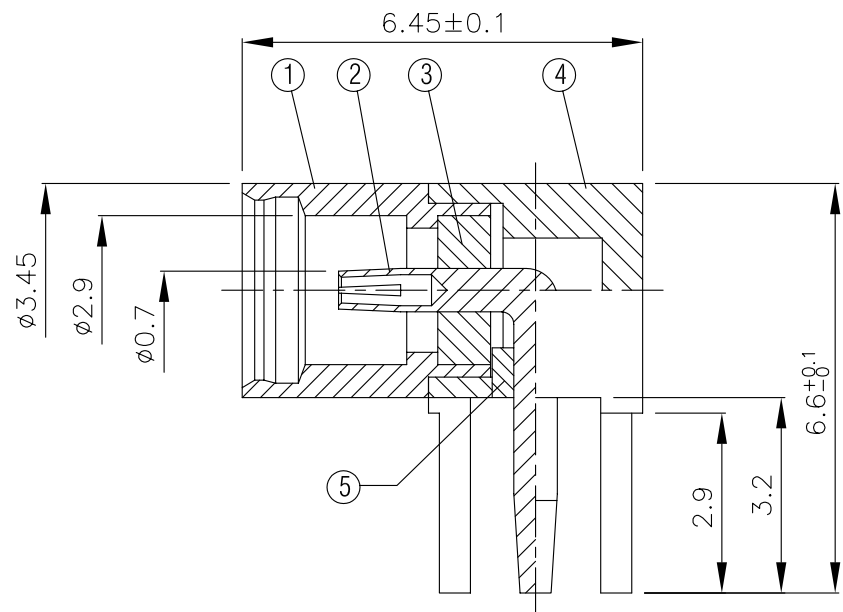
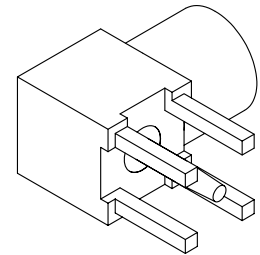
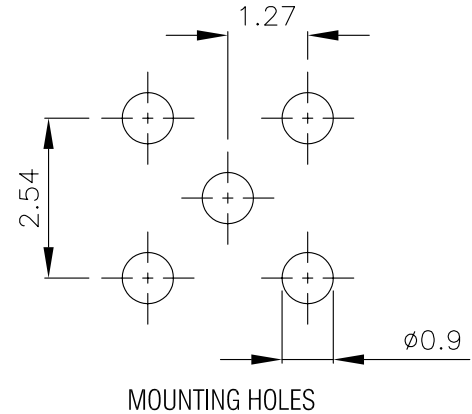


NO	DESCRIPTION	MATERIAL	Q'TY	FINISH	REMARK
1	BODY 1	BRASS	1	GOLD	B-MMCX0275-G
2	PIN	BE CU	1	GOLD	P-MMCX0159-G
3	INSULATION 1	TEFLON	1	TEFLON	I-0065T
4	BODY 2	BRASS	1	GOLD	B-MMCX0276-G
5	INSULATION 2	TEFLON	1	TEFLON	I-0067T



HUS-TSAN GROUP CO., LTD.
P.O.BOX 40-76.TAINAN.TAIWAN,R.O.C.
TITLE
MMCX FEMALE RIGHT ANGLE PCB
PART NO.
MMCX-04-TGG
DRAWING NO.
MMCX 04 TGG

DRAWN MARY **DATE** 96.05.16
CHECKED 蘇志欣 **DATE**
Q.A. 蘇姿潔 **DATE**
APPROVAL 徐燦霖 **DATE**
REVISION **DATE**

DIMENSIONS ARE IN MILLIMETERS
UNLESS OTHERWISE SPECIFIED TOLERANCE
0.5-5=±0.2 120-315=±1
5-30= ±0.4 315-1000=±1.6
30-120±0.6 1000-2000=±2.4
SCALE 4:1 **SIZE** A

REVISION	
DESCRIPTION	ENGINEER