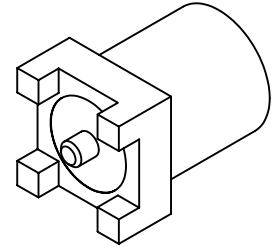
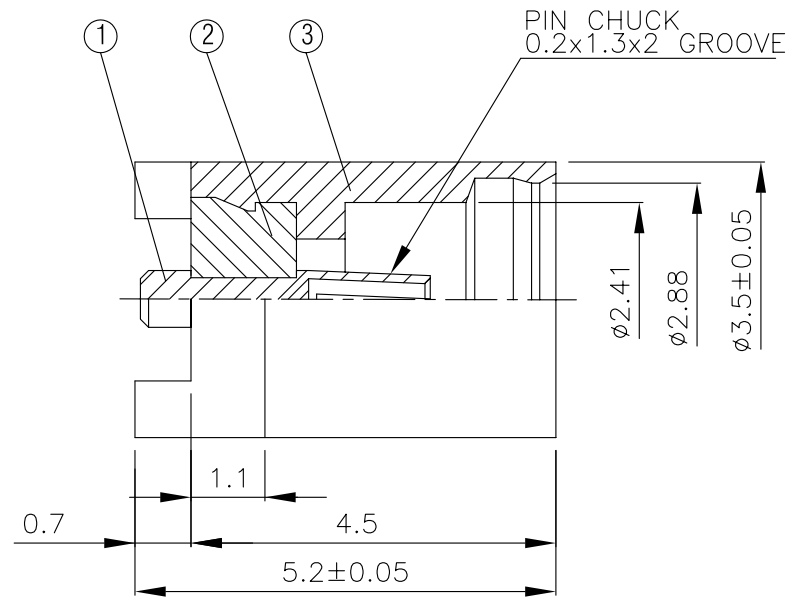
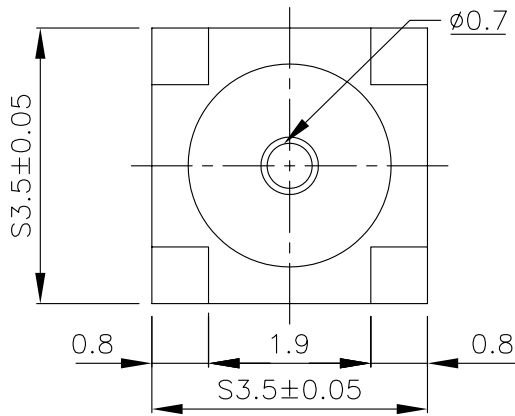
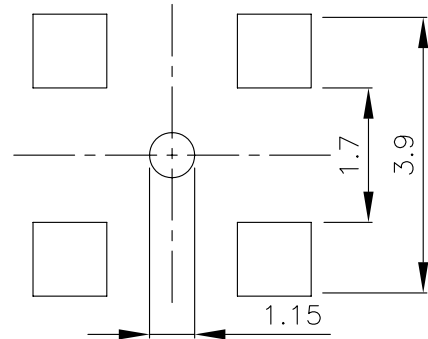
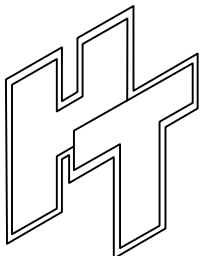


NO	DESCRIPTION	MATERIAL	Q'TY	FINISH	REMARK
1	PIN	BE CU	1	GOLD	P-MMCX0135-G
2	INSULATION	TEFLON	1	TEFLON	I-0101T
3	BODY	BRASS	1	GOLD	B-MMCX0212-G



	HUS-TSAN GROUP CO., LTD. P.O.BOX 40-76.TAINAN.TAIWAN,R.O.C.		DRAWN MARY DATE 91.01.18	DIMENSIONS ARE IN MILLIMETERS		REVISION		
	TITLE MMCX FEMALE PCB MOUNT		CHECKED Q.A.	DATE	UNLESS OTHERWISE SPECIFIED TOLERANCE		DESCRIPTION	ENGINEER
	PART NO. MMCX-03V4-TGG		APPROVAL	DATE	0.5-5=±0.2 5-30=±0.4 30-120±0.6	120-315=±1 315-1000=±1.6 1000-2000=±2.4		
	DRAWING NO. MMCX 03V4 TGG		REVISION	DATE	SCALE 4:1	SIZE A		