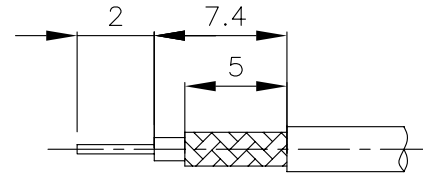
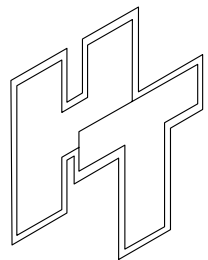
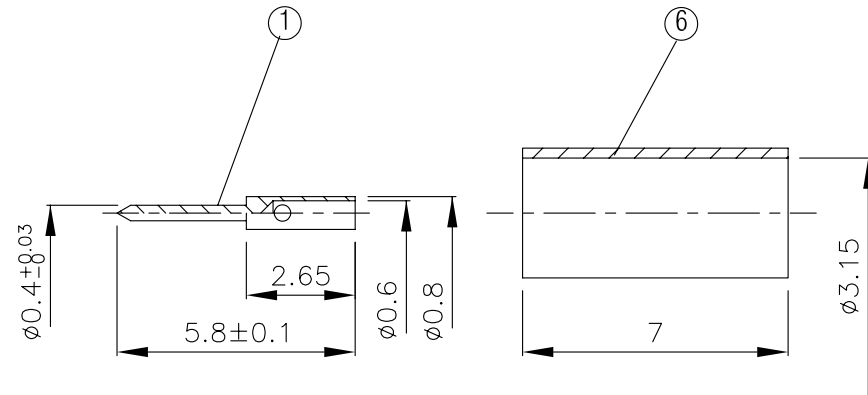
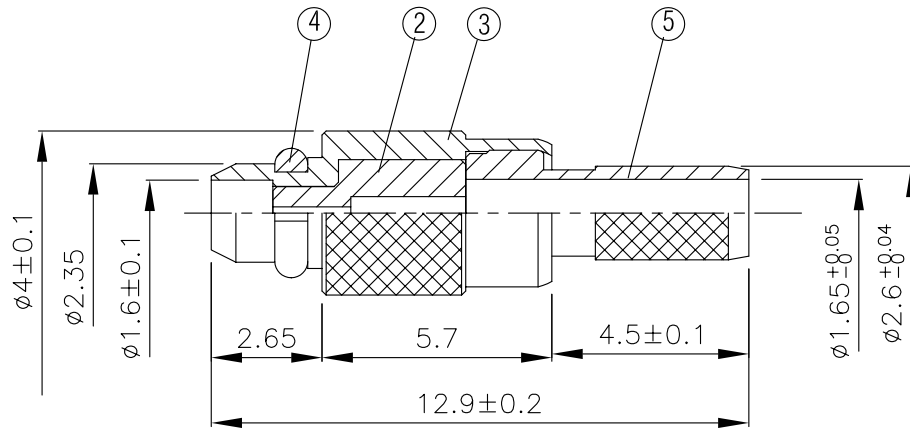
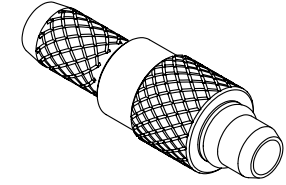


NO	DESCRIPTION	MATERIAL	Q'TY	FINISH	REMARK
1	PIN	BE CU	1	GOLD	P-MMCX0014-G
2	INSULATION	TEFLON	1	TEFLON	I-0097T
3	BODY 1	BRASS	1	GOLD	B-MMCX0018-G
4	LOCK WASHER	BE CU	1	GOLD	W-0008-G
5	BODY 2	BRASS	1	GOLD	B-MMCX0019-G
6	RING	BRASS	GOLD	R-0001-G	



(Recommended Stripping Dimension)



HUS-TSAN GROUP CO., LTD.

P.O.BOX 40-76.TAINAN.TAIWAN,R.O.C.

TITLE MMCX PLUG CRIMP  
RG174,188U,316U

PART NO. MMCX-02LV1-TGG

DRAWING NO. MMCX 02LV1 TGG

DRAWN MARY DATE 96.05.16

CHECKED 黃巧君 DATE 96.05.16

Q.A. 蘇姿潔 DATE

APPROVAL 徐燦霖 DATE

REVISION DATE

DIMENSIONS ARE IN MILLIMETERS

UNLESS OTHERWISE SPECIFIED  
TOLERANCE

0.5-5 =  $\pm 0.2$  120-315 =  $\pm 1$

5-30 =  $\pm 0.4$  315-1000 =  $\pm 1.6$

30-120  $\pm 0.6$  1000-2000 =  $\pm 2.4$

SCALE 4:1 SIZE A

REVISION

DESCRIPTION ENGINEER

D

C

B

A

D

C

B

A

4

3

2

1