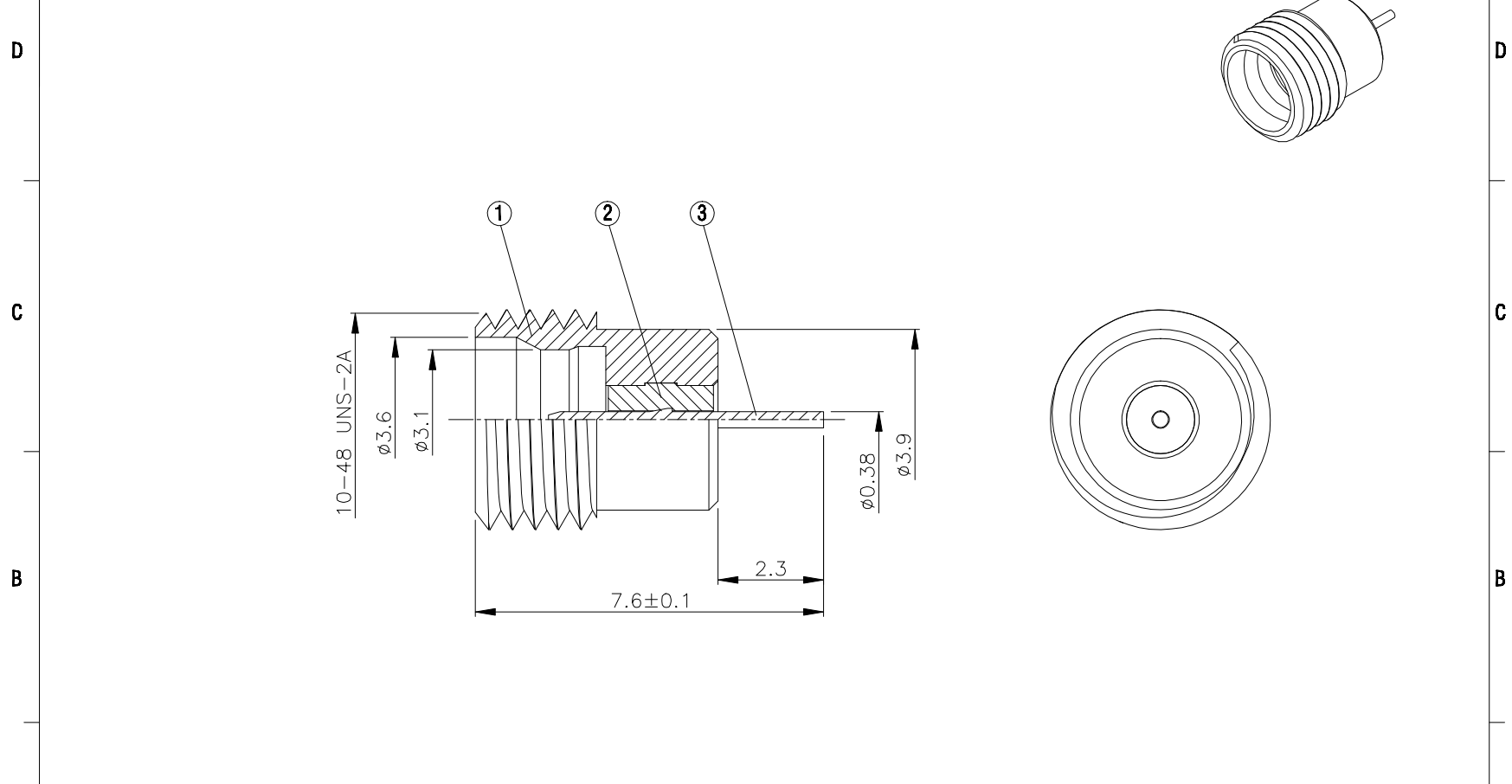
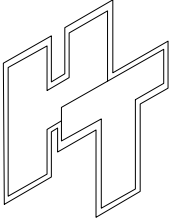






NO	DESCRIPTION	MATERIAL	Q'TY	FINISH	REMARK
1	BODY	SUS303	1	PASSIVATED	B-SMP1386-SUS
2	INSULATION	TEFLON	1	TEFLON	I-0181T
3	PIN	PH.BRONZE	1	GOLD	P-SMP0245-G



	<b>HUS-TSAN GROUP CO., LTD.</b> P.O.BOX 40-76.TAINAN.TAIWAN,R.O.C.		DRAWN  DATE <b>98.03.06</b>	DIMENSIONS ARE IN MILLIMETERS		REVISION	
	TITLE <b>SMP MALE THREAD-IN LIMITED DETENT</b>		CHECKED  DATE	UNLESS OTHERWISE SPECIFIED TOLERANCE		DESCRIPTION	ENGINEER
	PART NO. <b>SMP-20-TGSUS</b>		Q.A.  DATE	0.5-5=±0.2    120-315=±1			
	DRAWING NO. <b>SMP-20-TGSUS</b>		APPROVAL  DATE	5-30=±0.4    315-1000=±1.6			
			REVISION DATE	30-120±0.6    1000-2000=±2.4			
			SCALE	4:1	SIZE	A	