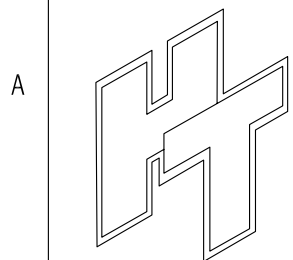
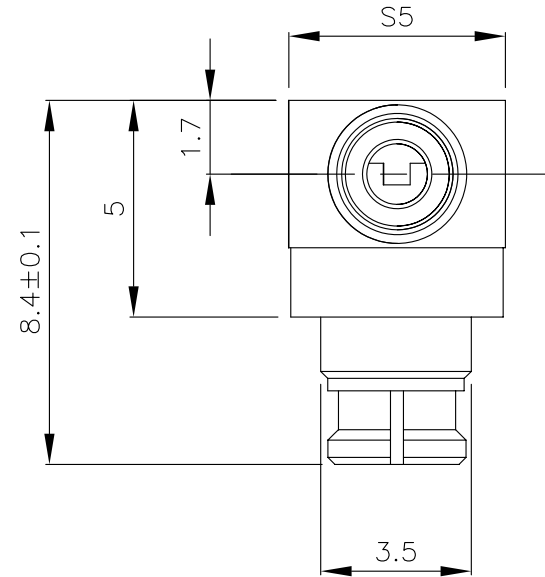
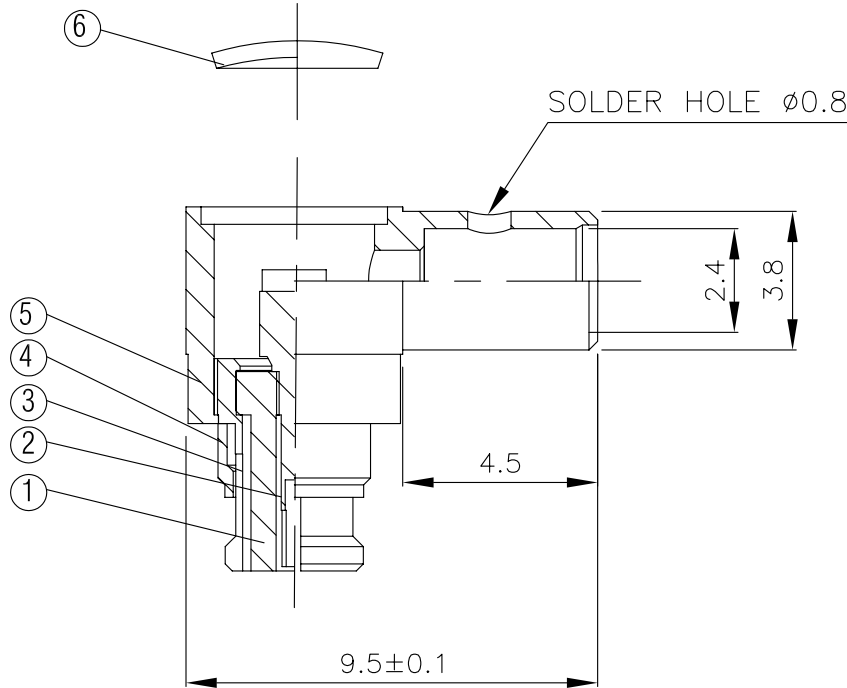
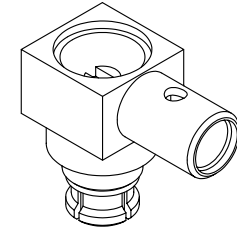
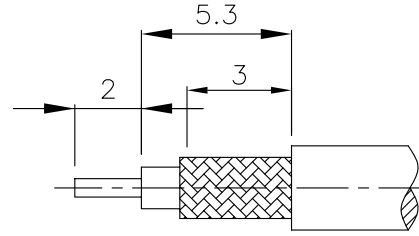


NO	DESCRIPTION	MATERIAL	Q'TY	FINISH	REMARK
1	INSULATION 1	TEFLON	1	TEFLON	I-0461T
2	PIN	BE CU	1	GOLD	P-SMP0661-G
3	BODY 1	BE CU	1	GOLD	B-SMP0941-G
4	BODY 2	BRASS	1	GOLD	B-SMP0938-G
5	BODY 3	BRASS	1	GOLD	B-SMP0942-G
6	WASHER	BRASS	1	GOLD	W-0061-G



HUS-TSAN GROUP CO., LTD.
P.O. BOX 40-76. TAINAN. TAIWAN, R.O.C.

TITLE SMP FEMALE RIGHT ANGLE TO FLEXIBLE CABLE FOR RG-316/U

PART NO. SMP-04LV1-TGG

DRAWING NO. SMP 04LV1 TGG

DRAWN	MARY	DATE	95.08.24
CHECKED	蘇姿潔	DATE	
Q.A.	馮健華	DATE	
APPROVAL	徐燦霖	DATE	
REVISION		DATE	

DIMENSIONS ARE IN MILLIMETERS

UNLESS OTHERWISE SPECIFIED TOLERANCE			
0.5-5=±0.2	120-315=±1		
5-30=±0.4	315-1000=±1.6		
30-120±0.6	1000-2000=±2.4		

SCALE 4:1 SIZE A

REVISION

DESCRIPTION	ENGINEER