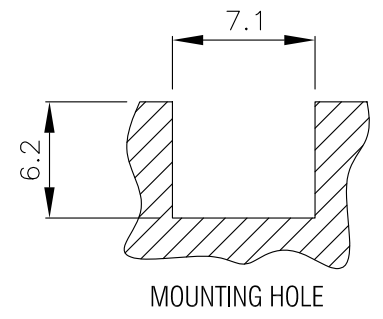
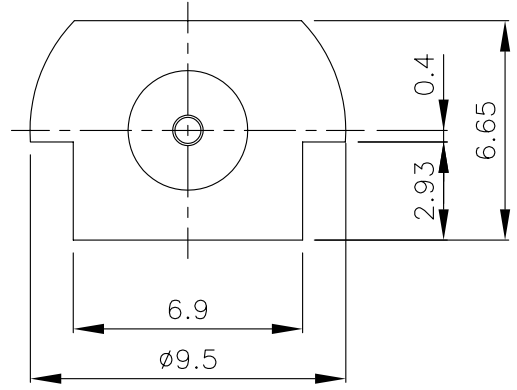
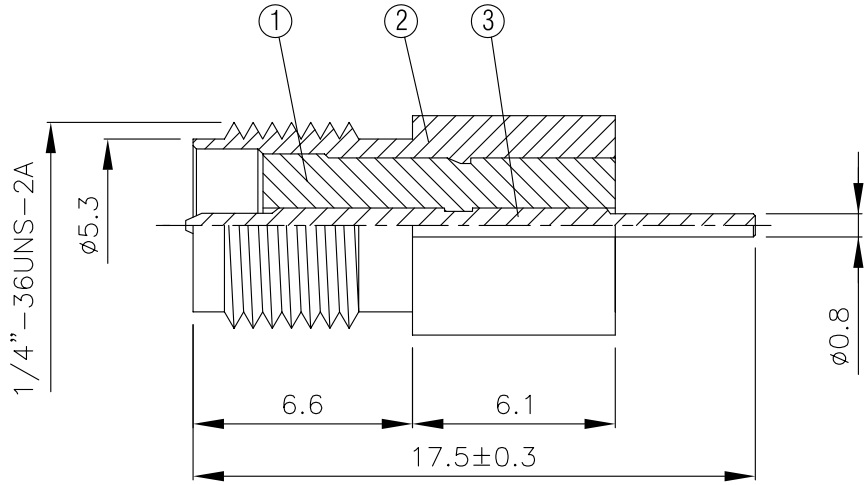
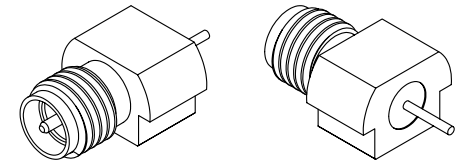


NO	DESCRIPTION	MATERIAL	Q'TY	FINISH	REMARK
1	INSULATION	TEFLON	1	TEFLON	I-0016T
2	BODY	BRASS	1	GOLD	B-SMA0156-G
3	PIN	BRASS	1	GOLD	P-SMA0099-G



	HUS-TSAN GROUP CO., LTD. P.O. BOX 40-76. TAINAN. TAIWAN, R.O.C.		DRAWN MARY DATE 96.05.08	DIMENSIONS ARE IN MILLIMETERS		REVISION	
	TITLE SMA FEMALE END LAUNCH (REVERSE POLARITY)		CHECKED 黃巧君 DATE	UNLESS OTHERWISE SPECIFIED TOLERANCE		DESCRIPTION	ENGINEER
	PART NO. SMA-48-TGG-RP		Q.A. 蘇姿潔 DATE	0.5-5=±0.2	120-315=±1		
	DRAWING NO. SMA 48 TGG-RP		APPROVAL 徐燦霖 DATE	5-30= ±0.4	315-1000=±1.6		
			REVISION DATE	30-120±0.6	1000-2000=±2.4		
			SCALE 4:1	SIZE A			