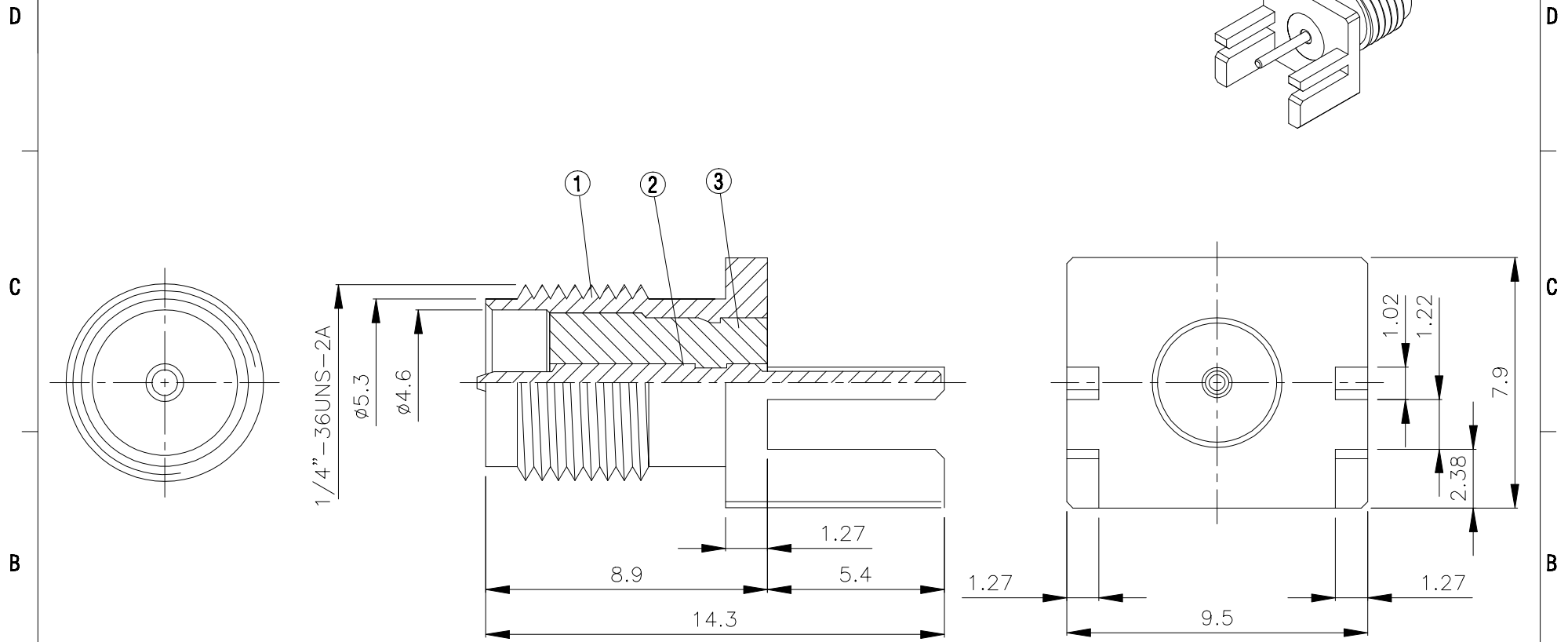
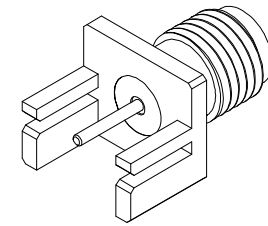


NO	DESCRIPTION	MATERIAL	Q'TY	FINISH
1	BODY	BRASS	1	NICKEL
2	PIN	BE CU	1	GOLD
3	INSULATION	TEFLON	1	TEFLON



	HUS-TSAN GROUP CO., LTD.		DRAWN	MARY	DATE	90.11.20	DIMENSIONS ARE IN MILLIMETERS		REVISION	
	P.O.BOX 40-76.TAINAN.TAIWAN,R.O.C.		CHECKED	蘇姿潔	DATE				UNLESS OTHERWISE SPECIFIED TOLERANCE	
	TITLE SMA FEMALE END LAUNCH REVERSE POLARITY		Q.A.	馮健華	DATE		0.5-5=±0.2	120-315=±1		
	PART NO. SMA-10V7-TGN-RP		APPROVAL	徐燦霖	DATE		5-30=±0.4	315-1000=±1.6		
	DRAWING NO. SMA 10V7 TGN RP		REVISION		DATE		30-120=±0.6	1000-2000=±2.4		
		SCALE	4:1	SIZE	A					

4

3

2

1

D

D

C

C

B

B

A

A

4

3

2

1