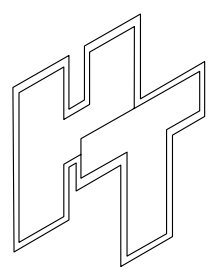
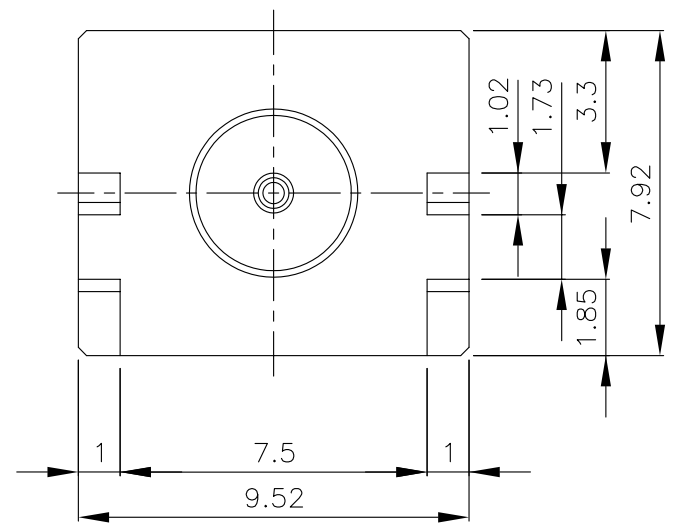
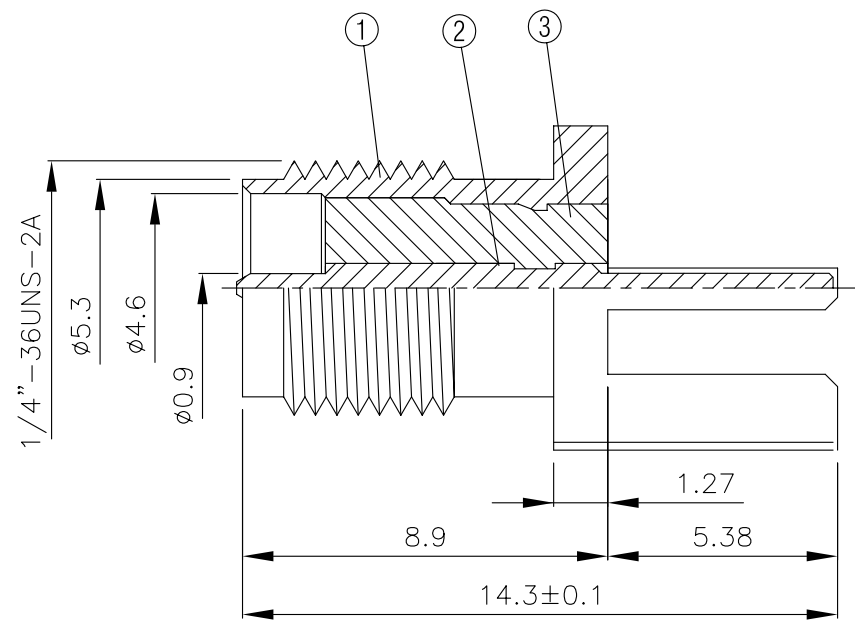
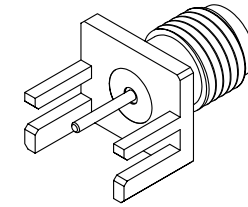


NO	DESCRIPTION	MATERIAL	Q'TY	FINISH	REMARK
1	BODY	BRASS	1	GOLD	B-SMA0163-G
2	PIN	BRASS	1	GOLD	P-SMA0108-G
3	INSULATION	TEFLON	1	TEFLON	I-0019T



HUS-TSAN GROUP CO., LTD.
P.O.BOX 40-76.TAINAN.TAIWAN,R.O.C.
TITLE SMA FEMALE END LAUNCH REVERSE POLARITY
PART NO. SMA-10V6-TGG-RP
DRAWING NO. SMA 10V6 TGG RP

DRAWN MARY **DATE** 90.11.20
CHECKED 黃巧君 **DATE** 90.11.20
Q.A. 蘇姿潔 **DATE**
APPROVAL 徐燦霖 **DATE**
REVISION **DATE**

DIMENSIONS ARE IN MILLIMETERS
UNLESS OTHERWISE SPECIFIED TOLERANCE
0.5-5=±0.2 120-315=±1
5-30= ±0.4 315-1000=±1.6
30-120±0.6 1000-2000=±2.4
SCALE 4:1 **SIZE** A

REVISION	
DESCRIPTION	ENGINEER