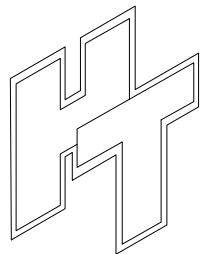
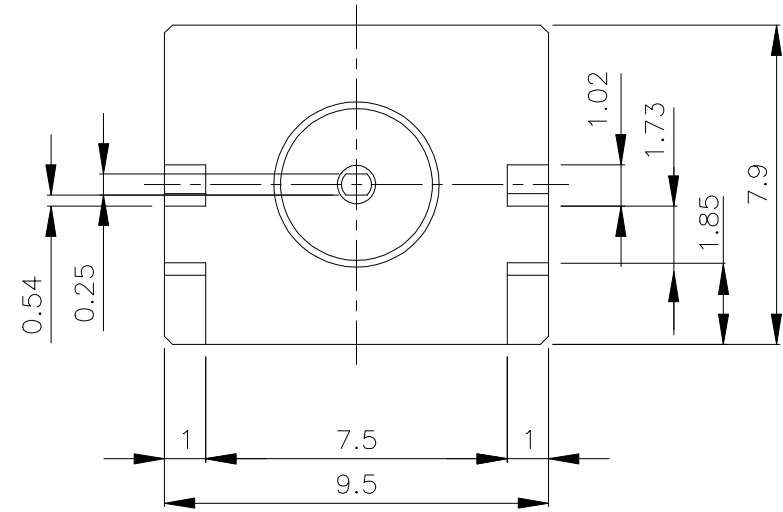
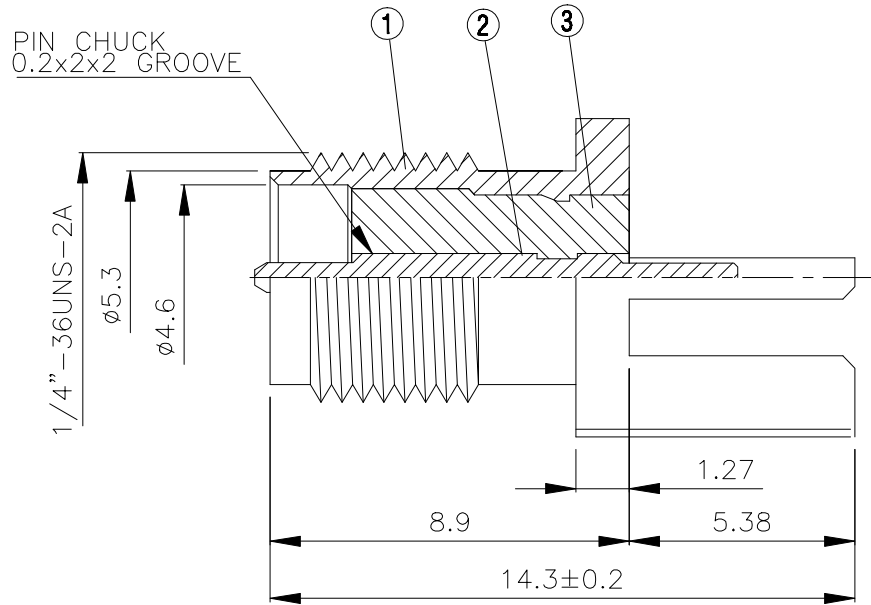
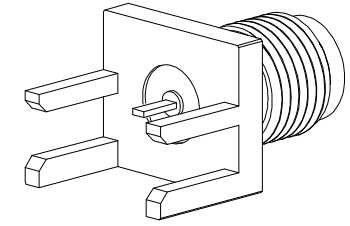


NO	DESCRIPTION	MATERIAL	Q'TY	FINISH	REMARK
1	BODY	BRASS	1	GOLD	B-SMA0163-G
2	PIN	BE CU	1	GOLD	P-SMA1126-G
3	INSULATION	TEFLON	1	TEFLON	I-0019T



HUS-TSAN GROUP CO., LTD.

P.O.BOX 40-76.TAINAN.TAIWAN,R.O.C.

TITLE SMA FEMALE END LAUNCH RECEPTACLE
-TAB CONTACT (BOARD THICKNESS 1.57)

PART NO. SMA-10V26-TGG-RP

DRAWING NO. SMA-10V26-TGG-RP

DRAWN	MARY	DATE	92.09.02
CHECKED	黃巧君	DATE	92.09.02
Q.A.	蘇姿潔	DATE	
APPROVAL	徐燦霖	DATE	
REVISION		DATE	

DIMENSIONS ARE IN MILLIMETERS

UNLESS OTHERWISE SPECIFIED TOLERANCE

0.5-5=±0.2	120-315=±1
5-30=±0.4	315-1000=±1.6
30-120=±0.6	1000-2000=±2.4

SCALE 4:1 SIZE A

REVISION

DESCRIPTION ENGINEER
