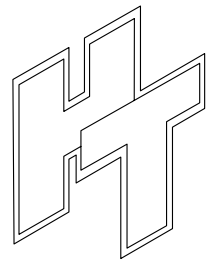
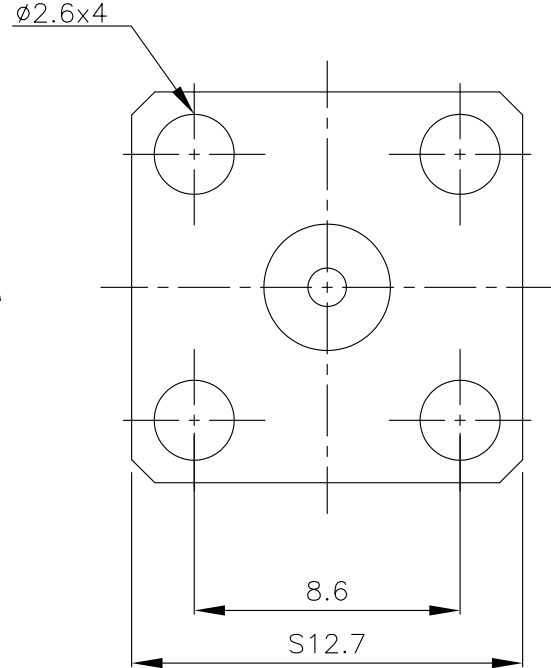
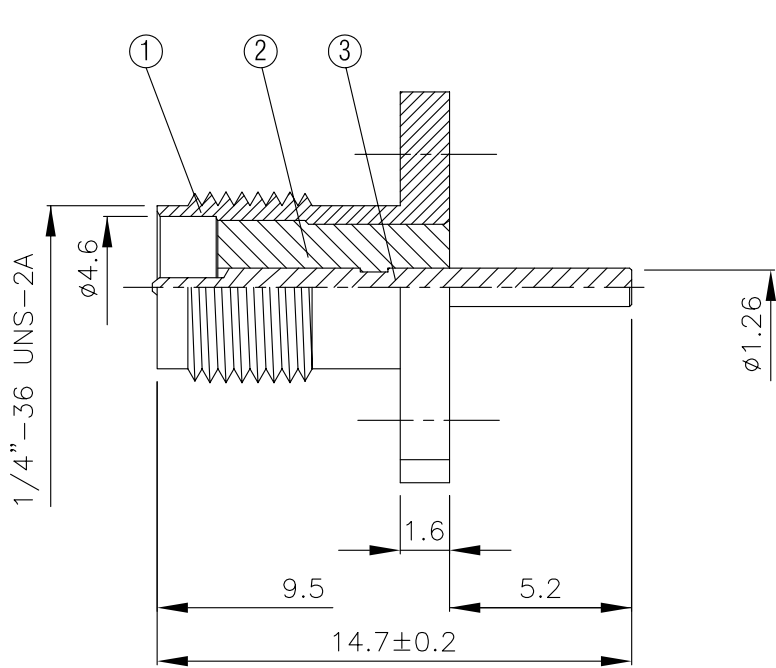
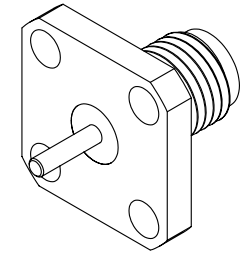


NO	DESCRIPTION	MATERIAL	Q'TY	FINISH	REMARK
1	BODY	BRASS	1	NICKEL	B-SMA0037-N
2	INSULATION	TEFLON	1	TEFLON	I-0106T
3	PIN	BE CU	1	GOLD	



HUS-TSAN GROUP CO., LTD.
P.O.BOX 40-76.TAINAN.TAIWAN,R.O.C.
**TITLE SMA FEMALE PANEL MOUNTED
REVERSE POLARITY**
PART NO. SMA-07V8-TGN-RP
DRAWING NO. SMA 07V8 TGN RP

DRAWN MARY DATE 96.06.26
CHECKED 蘇志欣 DATE
Q.A. 蘇姿潔 DATE
APPROVAL 徐燦霖 DATE
REVISION DATE

DIMENSIONS ARE IN MILLIMETERS
UNLESS OTHERWISE SPECIFIED
TOLERANCE
0.5-5=±0.2 120-315=±1
5-30= ±0.4 315-1000=±1.6
30-120±0.6 1000-2000=±2.4
SCALE 4:1 SIZE A

REVISION	
DESCRIPTION	ENGINEER