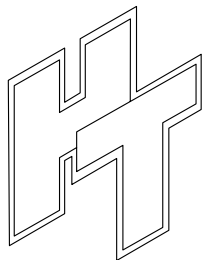
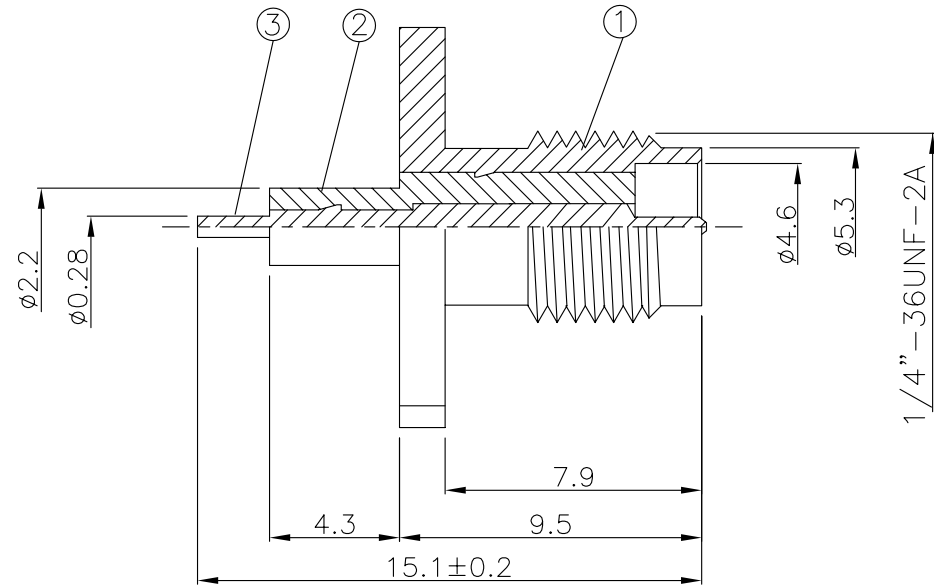
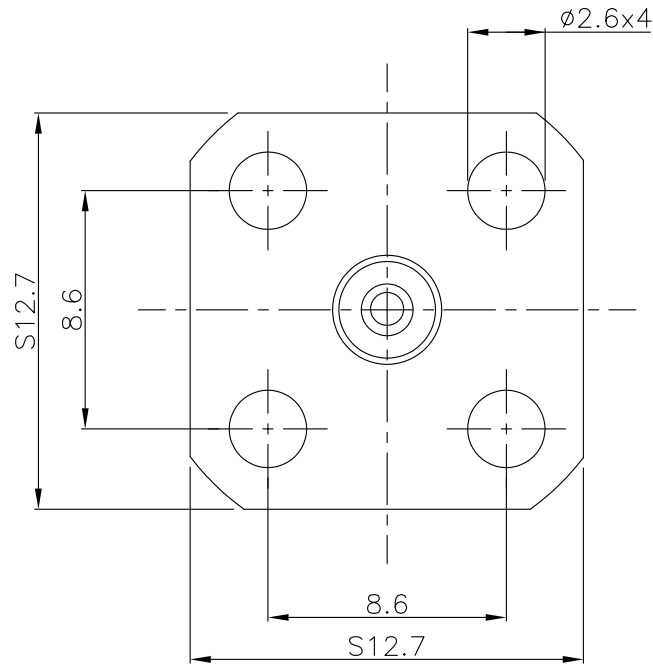
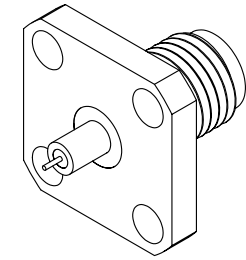


NO	DESCRIPTION	MATERIAL	Q'TY	FINISH	REMARK
1	BODY	BRASS	1	GOLD	B-SMA0037-G
2	INSULATION	TEFLON	1	TEFLON	I-0110T
3	PIN	BE CU	1	GOLD	



HUS-TSAN GROUP CO., LTD.

P.O. BOX 40-76.TAINAN TAIWAN,R.O.C.

TITLE SMA FEMALE PC MOUNT
ROUND CONTACT REVERSE POLARITY

PART NO. SMA-07V5-TGG-RP

DRAWING NO. SMA 07V5 TGG RP

DRAWN MARY DATE 96.06.26

CHECKED 蘇志欣 DATE

Q.A. 蘇姿潔 DATE

APPROVAL 徐燦霖 DATE

REVISION DATE

DIMENSIONS ARE IN MILLIMETER

UNLESS OTHERWISE SPECIFIED
TOLERANCES

0.5-5 = ±0.2 120-315 = ±1

5-30 = ±0.4 315-1000 = ±1.6

30-120 = ±0.6 1000-2000 = ±2.4

SCALE 5:1 SIZE A

REVISION

DESCRIPTION ENGINEER