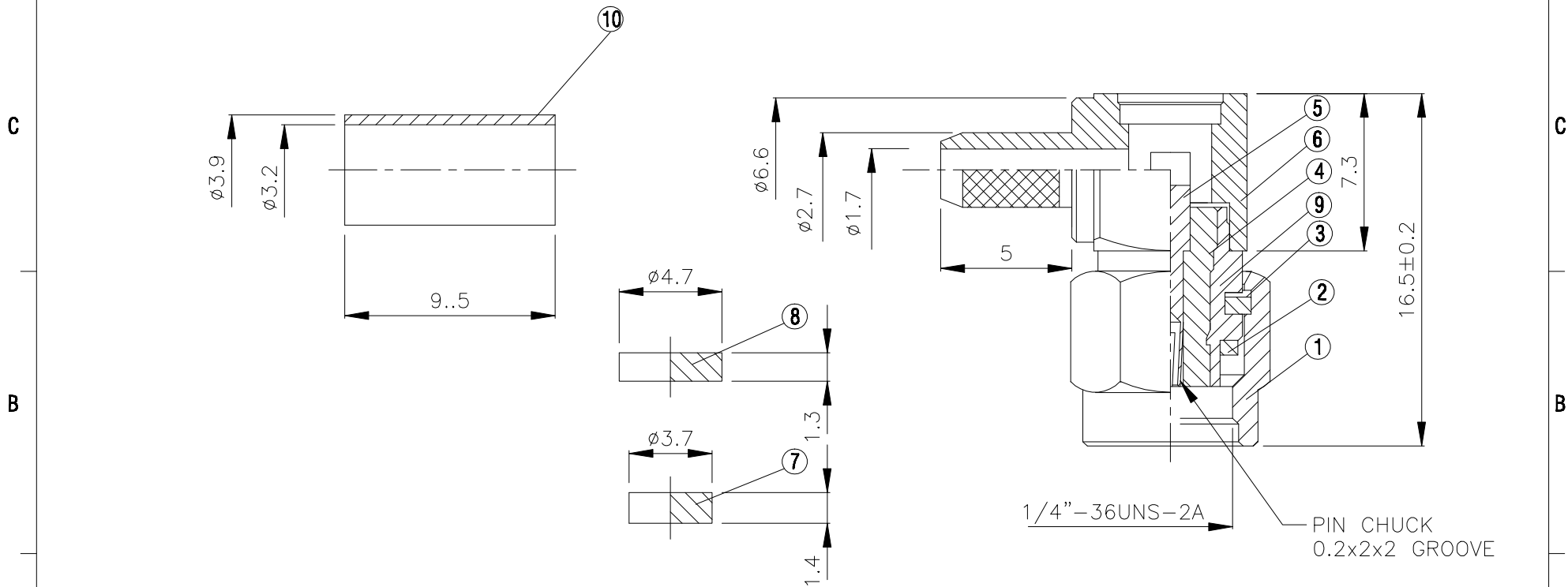
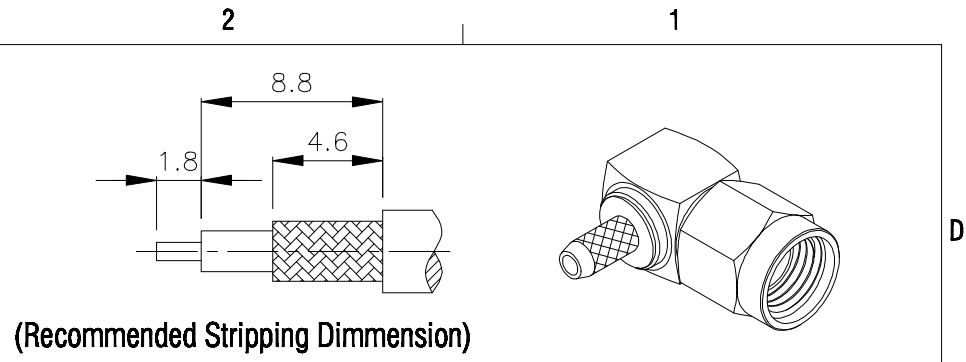


NO	DESCRIPTION	MATERIAL	Q'TY	FINISH	REMARK
1	SHELL	BRASS	1	NICKEL	B-SMA0043-N
2	GASKET	SI RUBBER	1	RUBBER	RU-0008
3	WASHER	PH.BRONZE	1	NICKEL	W-0012
4	INSULATION	TEFLON	1	TEFLON	I-0138T
5	PIN	BE CU	1	GOLD	P-SMA0150-G
6	BODY	BRASS	1	NICKEL	B-SMA0155-N
7	INSULATION	TEFLON	1	TEFLON	I-0136T
8	WASHER	BRASS	1	NICKEL	W-0023-N
9	BODY	BRASS	1	NICKEL	B-SMA0154-N
10	RING	BRASS	1	NICKEL	R-0002-N



	<b>HUS-TSAN GROUP CO., LTD.</b> P.O.BOX 40-76.TAINAN.TAIWAN,R.O.C.		DRAWN MARY DATE 96.03.30	DIMENSIONS ARE IN MILLIMETERS UNLESS OTHERWISE SPECIFIED TOLERANCE		REVISION		
	TITLE SMA MALE CRIMP FOR RG 174U REVERSE POLARITY		CHECKED 蘇姿潔 DATE	0.5-5=±0.2    120-315=±1 5-30=±0.4    315-1000=±1.6 30-120=±0.6    1000-2000=±2.4		DESCRIPTION	ENGINEER	
	PART NO. SMA-02LV1-TGN-RP		Q.A. 馮健華 DATE	SCALE	4:1	SIZE	A	
	DRAWING NO. SMA 02LV1 TGN-RP		APPROVAL 徐燦霖 DATE	REVISION				
			REVISION	DATE				

4

3

2

1

A

A