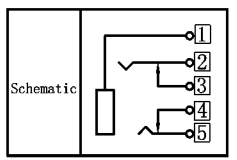
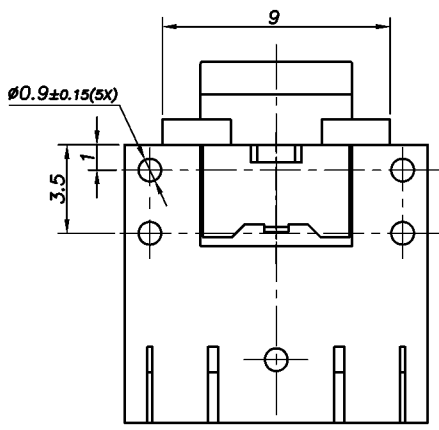
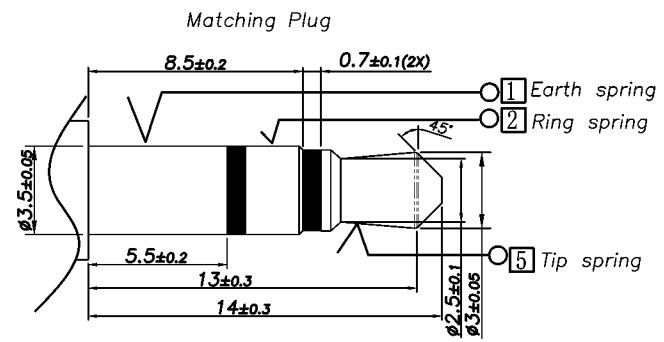
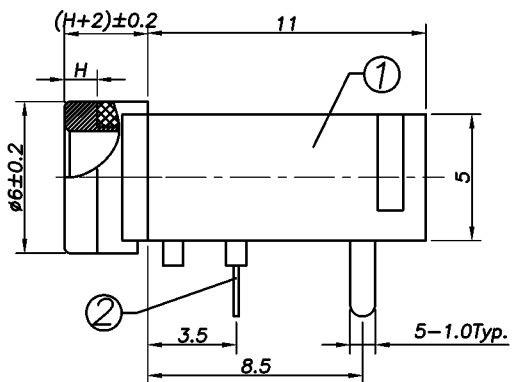
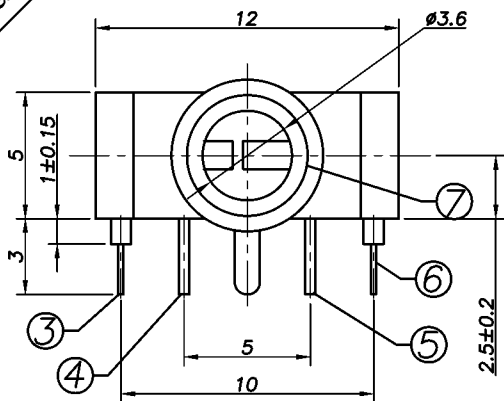


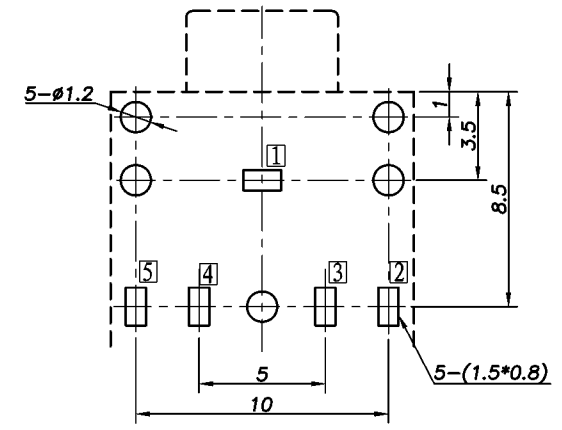
RoHS Compliant
Drawing For Reference Only



□: TERMINAL NO.

Specification:

1. Rating : DC 30V 0.5A;
2. Contact resistance: $\leq 50m\Omega$;
After test: $\leq 100m\Omega$
3. Insulation resistance: $\geq 100M\Omega$ (500VDC);
After test: $\geq 50M\Omega$
4. Withstand voltage: 500VAC ;
5. Insertion and extraction force: 3N~30N;
6. life test: 5000cycles min;
7. Operation temperature range: $-20^{\circ}C \sim 70^{\circ}C$;
8. Preservation temperature range: $-40^{\circ}C \sim 85^{\circ}C$;



RECOMMENDED P. C. B. LAYOUT
UNSPECIFIED TOLERANCE: ± 0.05
 (TOP VIEW)

Technical requirement :

1. This product should meet EU RoHS related requirement.
2. The surface of plastic part should be without any crackle such as burr,lack,and so on phenomenon.
3. The surface of metal part should be without any defect such as scaur,nick,oxidation and plating problem.
4. The electronic performance should be the same as spec.
5. The un-specified tolerance is : $<6\pm 0.1$
 $6 \sim 20 \pm 0.2$
 $>20 \pm 0.3$

⑦	Bushing	1	Copper alloy	Nickel(Ni) plating
⑥	Tip spring	⑤	1	Stainless steel
⑤	Shunt terminal	④	1	Copper alloy
④	Shunt terminal	③	1	Copper alloy
③	Ring spring	②	1	Stainless steel
②	Earth spring	①	1	Copper alloy
①	Housing		1	Thermoplastic
NO.	DESCRIPTION	Q'TY	MATERIAL	REMARK

DCI DRAGON CITY INDUSTRIES LIMITED

Item Name: 3.5MM PHONE JACK Tolerance :
 Item No. : ST-212(NB) Unit : mm

Design	K.W Law	Remark	Scale
Drawing	W.K Yeung	Remark	Material
Check	K.L Wong	Remark	Drawing No. A20424-1605
Approval	K.W Chan	Remark	Sheet