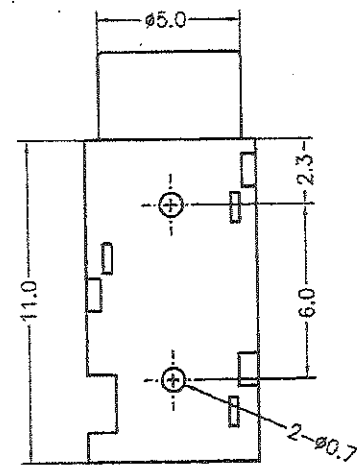
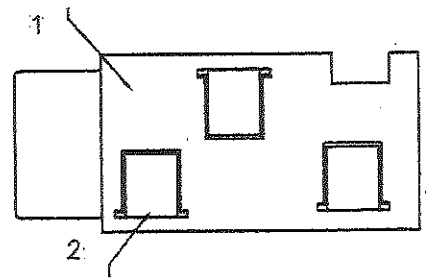
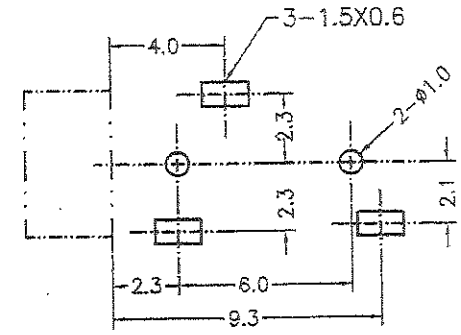
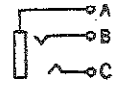
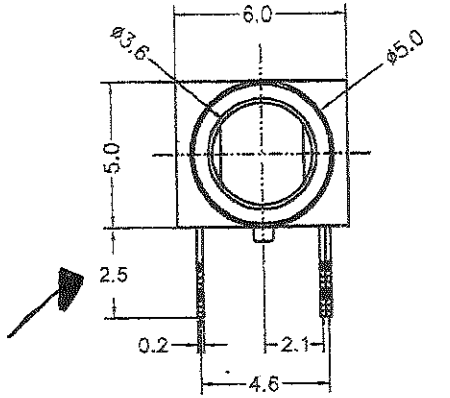
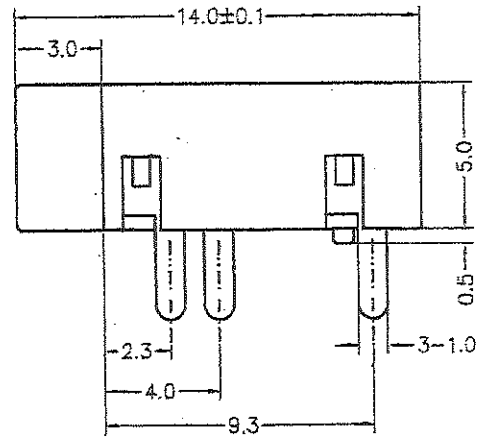


**RoHS  
Compliant  
Drawing For  
Reference Only**



**Technical requirement :**

1. This product should meet EU RoHS related requirement.
2. The surface of plastic part should be without any crackle such as burr,lack,and so on phenomenon.
3. The surface of metal part should be without any defect such as scaur,nick,oxidation and plating problem.
4. The electronic performance should be the same as spec.
5. The un-specified tolerance is : <math><6\pm 0.2</math>  
<math>6\sim 20\pm 0.3</math>  
<math>>20\pm 0.4</math>

**規格 Specifications**

額定負荷 Ratings	DC 30V 0.5 A
絶縁電阻 Insulation Resistance	DC 500V 60 Sec. 100 m Ω Min
抗電強度 Dielectric Voltage	AC 500V (50-60Hz) 60 Sec.
操作力 Operating Force (Kgf)	挿入力 (Insertion Force) 0.2-3.0
	抜出力 (Extraction Force) 0.2-3.0
負荷壽命 Operating Life With Load	5,000 次 Cycles

**DCI DRAGON CITY INDUSTRIES LIMITED**

Item Name	3.5MM PHONE JACK	Tolerance :
Item No.	ST-021(SL)	Unit : mm

Design	K.W Law	Remark	Scale
Drawing	W.K Yeung	Remark	Material
Check	K.L Wong	Remark	Drawing No. A307311530
Approval	K.W Chan	Remark	Sheet