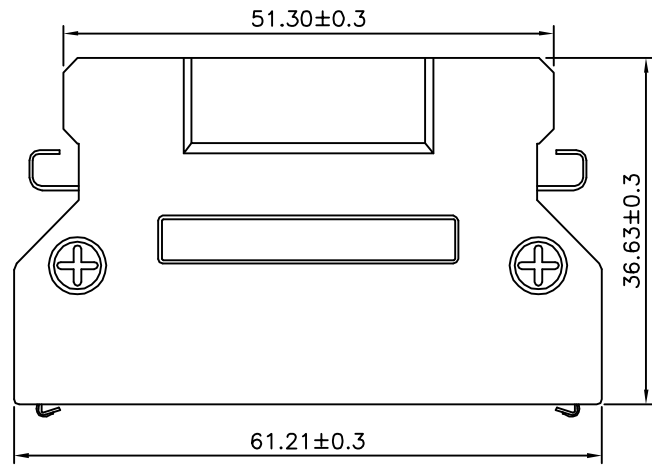
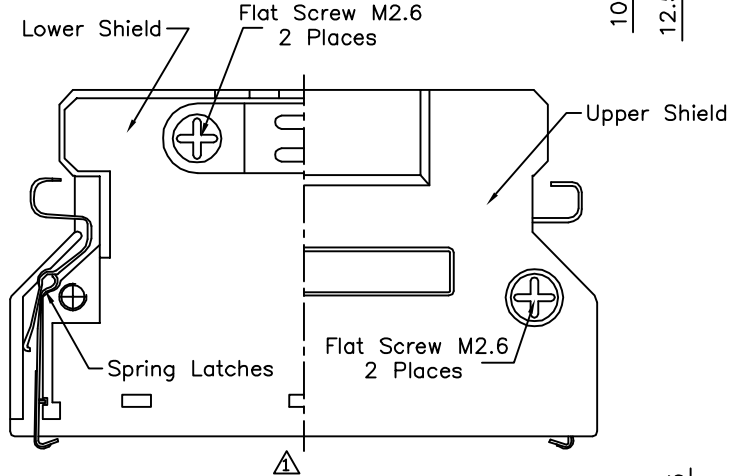


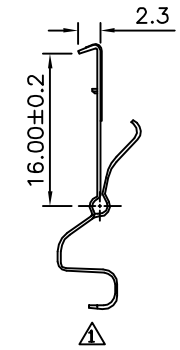
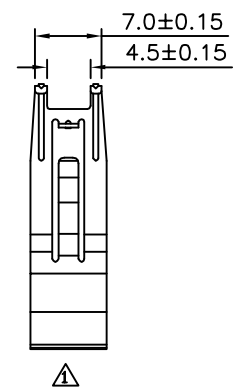
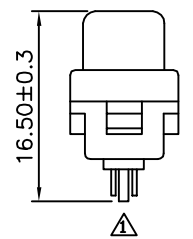
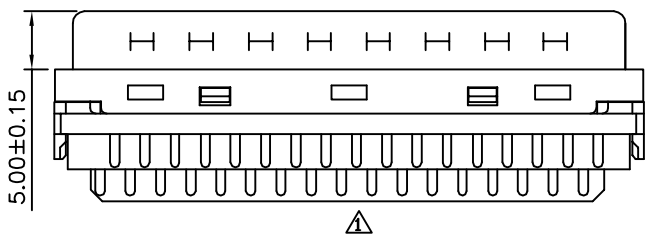
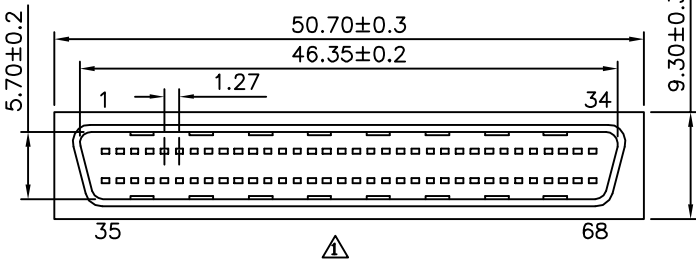
**△ SPECIFICATION**

Current Rating:0.5 Amp  
 Withstand Voltage:500V AC  
 Contact Resistance:35 Milliohms Max.  
 Insulation Resistance:>500 Megaohms Min.  
 Operation Temperature:-55°C~+85°C  
 Insulator:PBT(UL94V-0),Black  
 Contact:Phosphor Bronze  
 Selective Gold Plated 5u" Over Nickel  
 Front Shell:Steel,Nickel Plated Over Copper  
 Back Shell:Zinc Alloy,Nickel Plated Over Copper  
 Flat Screws:Steel,Nickel Plated Over Copper  
 Cable Clipper:Steel,Nickel Plated Over Copper  
 Spring Latches:Stainless Steel  
 RoHS Compliant



△ HPD 068 P S W - H  
 (1) (2) (3) (4) (5) (6)

- (1) HPD:1.27mm SCSI Pin Type
- (2) 068:No. Of Position
- (3) P:Male
- (4) S:Solder Wire
- (5) W:Metal Hood Latch Type
- (6) H:RoHS Compliant



**AUK** A MEMBER OF AUK GROUP  
**太聯事業股份有限公司**  
**AUK CONTRACTORS CO., LTD.**

CATEGORY		APPROVED BY		UNLESS OTHERWISE SPECIFIED TOLERANCES ARE .X ±0.38 .XX ±0.25 ANG.
PART No. HPD068PSW-H		MEI		
DRAWING No. HPD068PSW-H		HZF		
SCALE NONE		SONG		
REV.	A1	UNIT mm	A1	

NO.	REV.	REVISIONS	CHK	DATE
△ A1		Modify Data	HZF	07/12/2013
△ A0		NEW RELEASE	HZF	09/08/2006