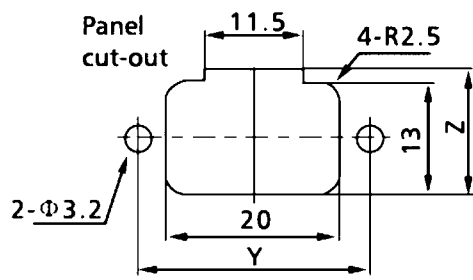
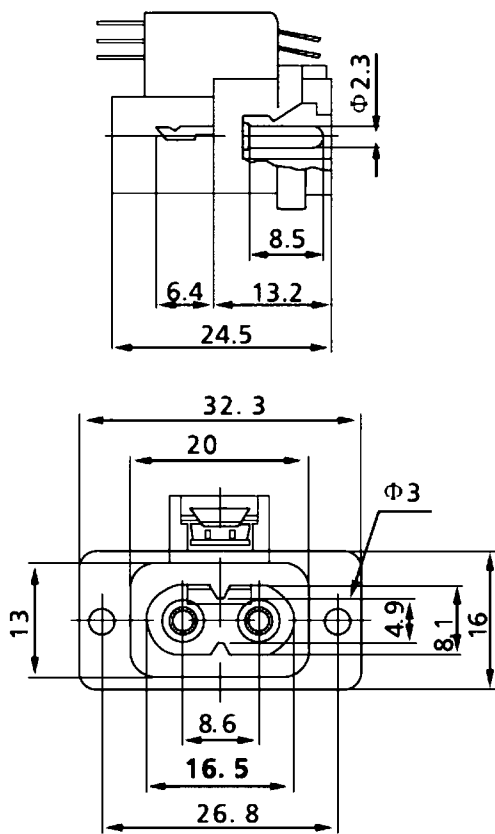


RoHS  
Compliant  
Drawing For  
Reference Only



X	Y	Z
0.75~1.25	26.8 <sup>+0.1</sup>	14.5 <sup>+0.1</sup>
1.25~2.00	26.8 <sup>+0.1</sup>	14.5 <sup>+0.1</sup>
2.00~3.00	26.8 <sup>+0.1</sup>	14.5 <sup>+0.1</sup>

X:Panel thickness

- Technical requirement :
1. This product should meet EU RoHS related requirement.
  2. The surface of plastic part should be without any crackle such as burr,lack,and so on phenomenon.
  3. The surface of metal part should be without any defect such as scaur,nick,oxidation and plating problem.
  4. The electronic performance should be the same as spec.
  5. The un-specified tolerance is :  $<6\pm 0.2$   
 $6\sim 20\pm 0.3$   
 $>20\pm 0.4$

**DCI** DRAGON CITY INDUSTRIES LIMITED

Design	K.W Law	Remark	Scale	
Drawing	W.K Yeung	Remark	Material	
Check	K.L Wong	Remark	Drawing No.	A307231130
Approval	K.W Chan	Remark	Sheet	

Item Name	AC SOCKET	Tolerance :
Item No.	AS-203B-EN(ZL)	Unit : mm