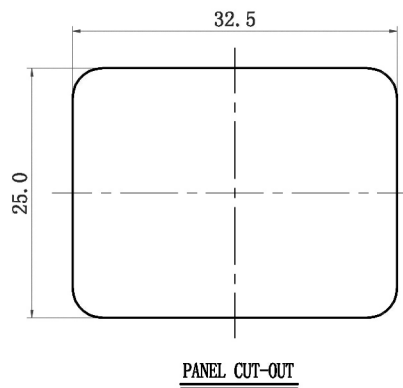
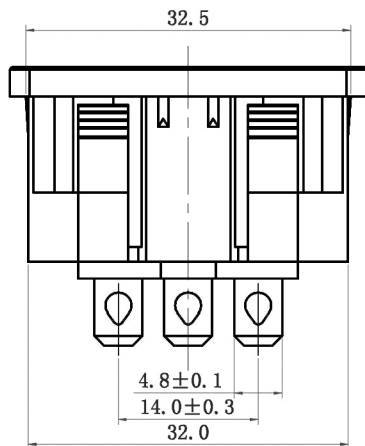
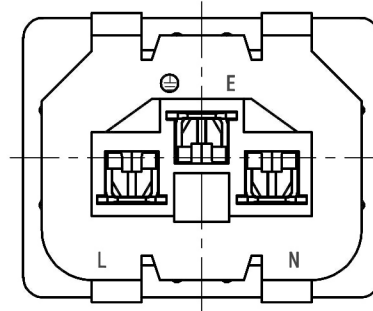
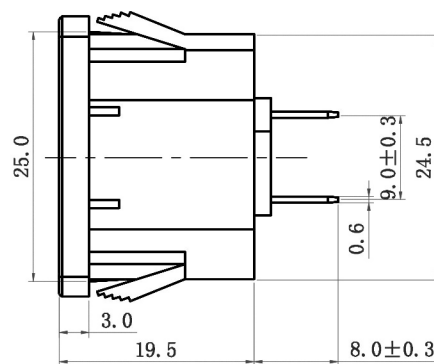
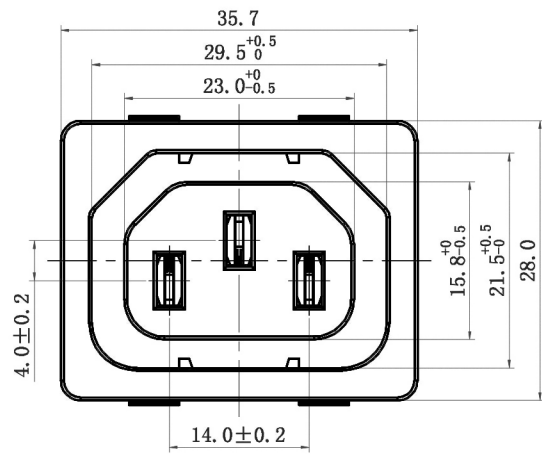


**RoHS  
Compliant  
Drawing For  
Reference Only**



**Rating :** 10A 250V AC 3C TUV CE KC

**Insert And Extract Force:** 1.36kgf~6.8kgf

**Terminal Strength:** ≥80N

**Operating Life:** ≥5000 cycles

**Withstand Voltage:** Between all terminals:2500VAC (50-60Hz)1min  
terminals to Base:3750V AC (50-60Hz)1min

**Leakage Current :** 1mA

**Insulation Resistance:** ≥100MΩ 500V DC

**Technical requirement :**

1. This product should meet EU RoHS related requirement.
2. The surface of plastic part should be without any crackle such as burr,lack,and so on phenomenon.
3. The surface of metal part should be without any defect such as scaur,nick,oxidation and plating problem.
4. The electronic performance should be the same as spec.
5. The un-specified tolerance is : <math>-6\pm 0.2</math>  
6~20±0.3  
>20±0.4

**DCI DRAGON CITY INDUSTRIES LIMITED**

Item Name	AC SOCKET	Tolerance :	Design	K.W Law	Remark	Scale
Item No.	AS-240	Unit : mm	Drawing	W.K Yeung	Remark	Material
			Check	K.L Wong	Remark	Drawing No. A402130945
			Approval	K.W Chan	Remark	Sheet