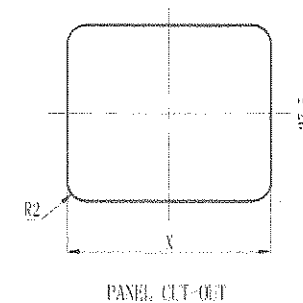
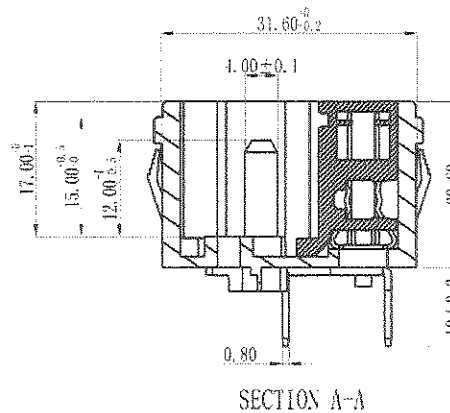
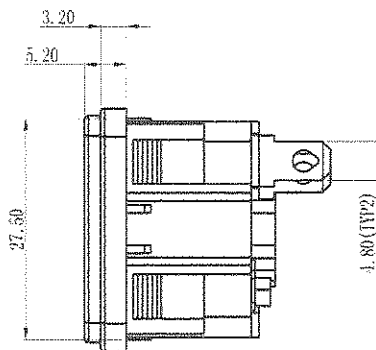
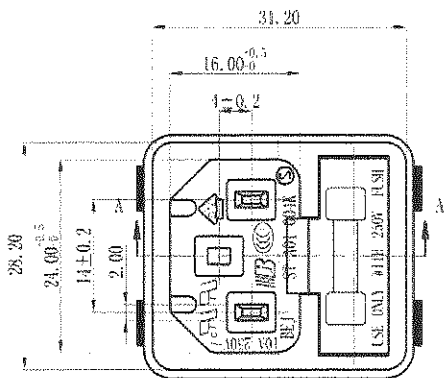
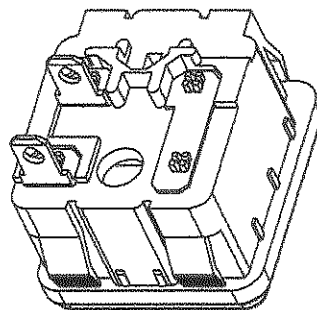
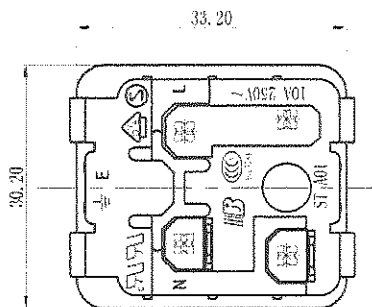


RoHS
Compliant
Drawing For
Reference Only



THICKNESS	X
0.8~1.8	31.1
1.9~3.2	31.6



Technical requirement :

1. This product should meet EU RoHS related requirement.
2. The surface of plastic part should be without any crackle such as burr,lack,and so on phenomenon.
3. The surface of metal part should be without any defect such as scour,nick,oxidation and plating problem.
4. The electronic performance should be the same as spec.
5. The un-specified tolerance is : 0~10±0.1; 10~30±0.2;

30~50±0.3; 50~±0.5

DCI DRAGON CITY INDUSTRIES LIMITED

Item Name	AC SOCKET WITH FUSE HOLDER	Tolerance :
Item No.	AS-235	Unit : mm

Design	K.W Law	Remark		Scale	
Drawing	S.M Hung	Remark		Material	
Check	K.L Wong	Remark		Drawing No.	110217-1002
Approval	K.W Chan	Remark		Sheet	