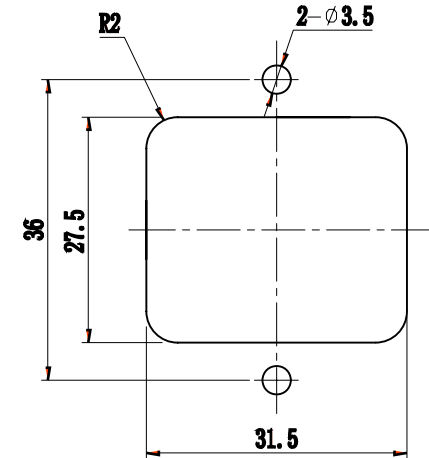
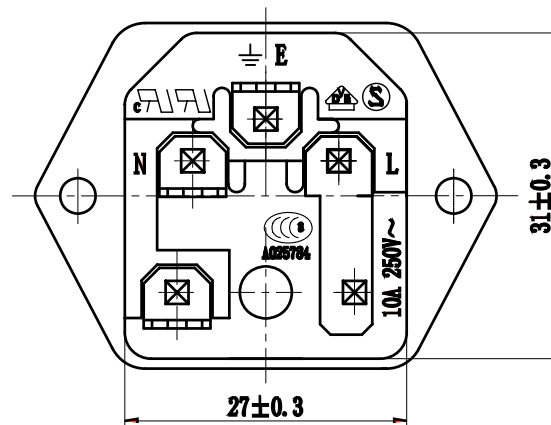
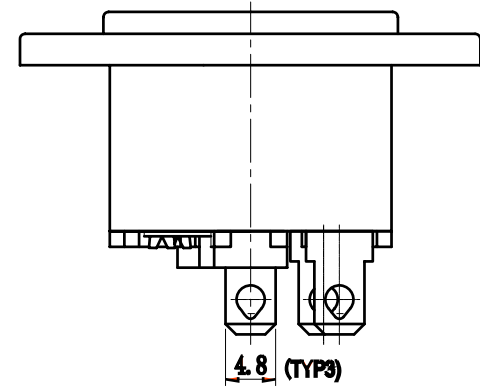
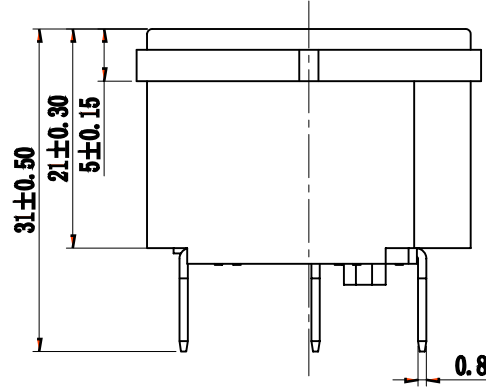
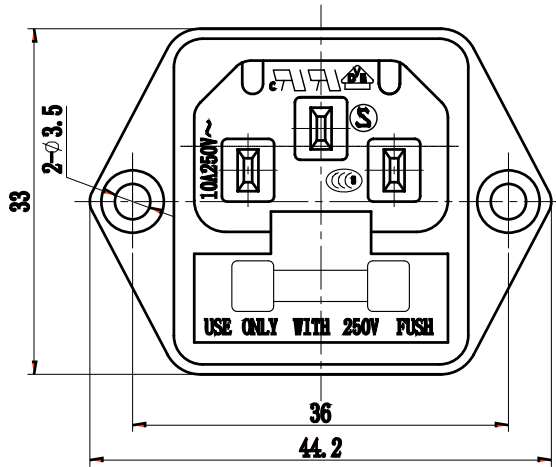


RoHS
Compliant
Drawing For
Reference Only



PANEL CUT-OUT

Technical requirement :

1. This product should meet EU RoHS related requirement.
2. The surface of plastic part should be without any crackle such as burr,lack,and so on phenomon.
3. The surface of metal part should be without any defect such as scaur,nick,oxidation and plating problem.
4. The electronic performance should be the same as spec.
5. The un-specified tolerance is : <math><6\pm 0.1</math>
$6\sim 20\pm 0.2$
$>20\pm 0.3$

DCI DRAGON CITY INDUSTRIES LIMITED

		Design	K.W Law	Remark		Scale	
		Drawing	W.K Yeung	Remark		Material	
Item Name	AC Socket	Check	K.L Wong	Remark		Drawing No.	81121-1609
Item No.	AS-226-UL-EN	Unit : mm	Approval	K.W Chan	Remark	Sheet	