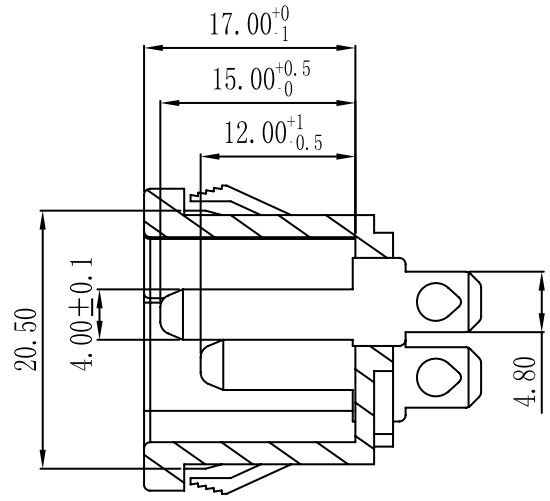
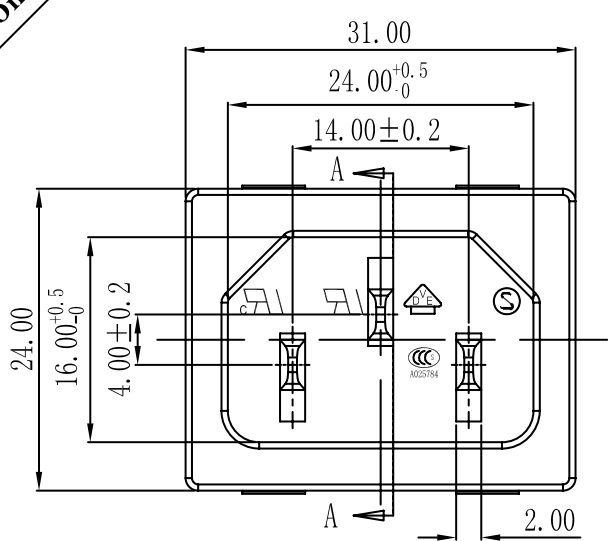
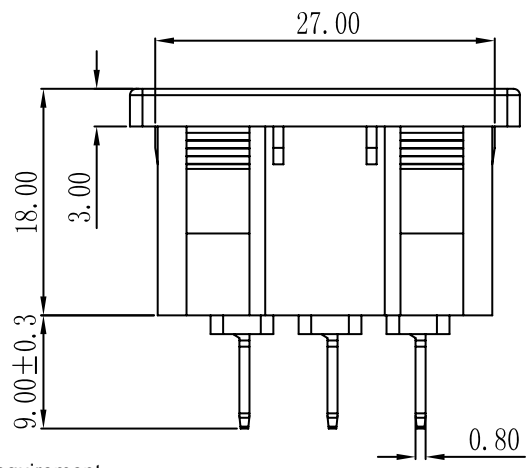
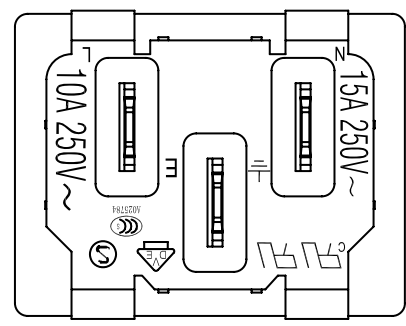


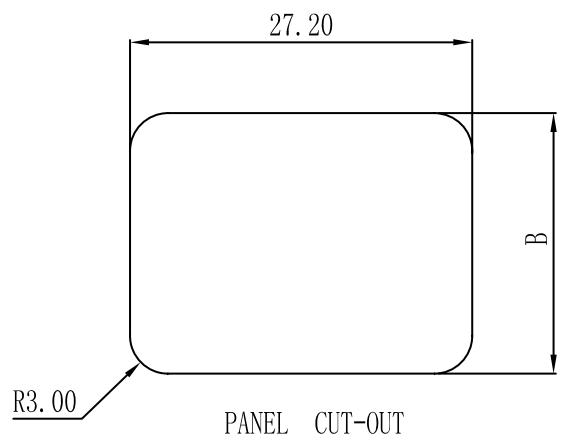
RoHS Compliant
Drawing For Reference Only



SECTION A-A



THICKNESS	B
0.8~1.0	19.8
1.0~1.2	19.9
2.2~1.5	19.9
2.0	20.0
3.5	20.1



Technical requirement :

1. This product should meet EU RoHS related requirement.
2. The surface of plastic part should be without any crackle such as burr,lack,and so on phenomenon.
3. The surface of metal part should be without any defect such as scaur,nick,oxidation and plating problem.
4. The electronic performance should be the same as spec.
5. The un-specified tolerance is : <math><6\pm 0.2</math>
 6~20± 0.3
 >20± 0.4

DCI DRAGON CITY INDUSTRIES LIMITED			Design	K.W Law	Remark	Scale
			Drawing	W.K Yeung	Remark	Material
Item Name	AC Socket	Tolerance :	Check	K.L Wong	Remark	Drawing No. 100914-0936
Item No.	AS-224K(27)UL-EN (ST-A01-003K)	Unit : mm	Approval	K.W Chan	Remark	Sheet