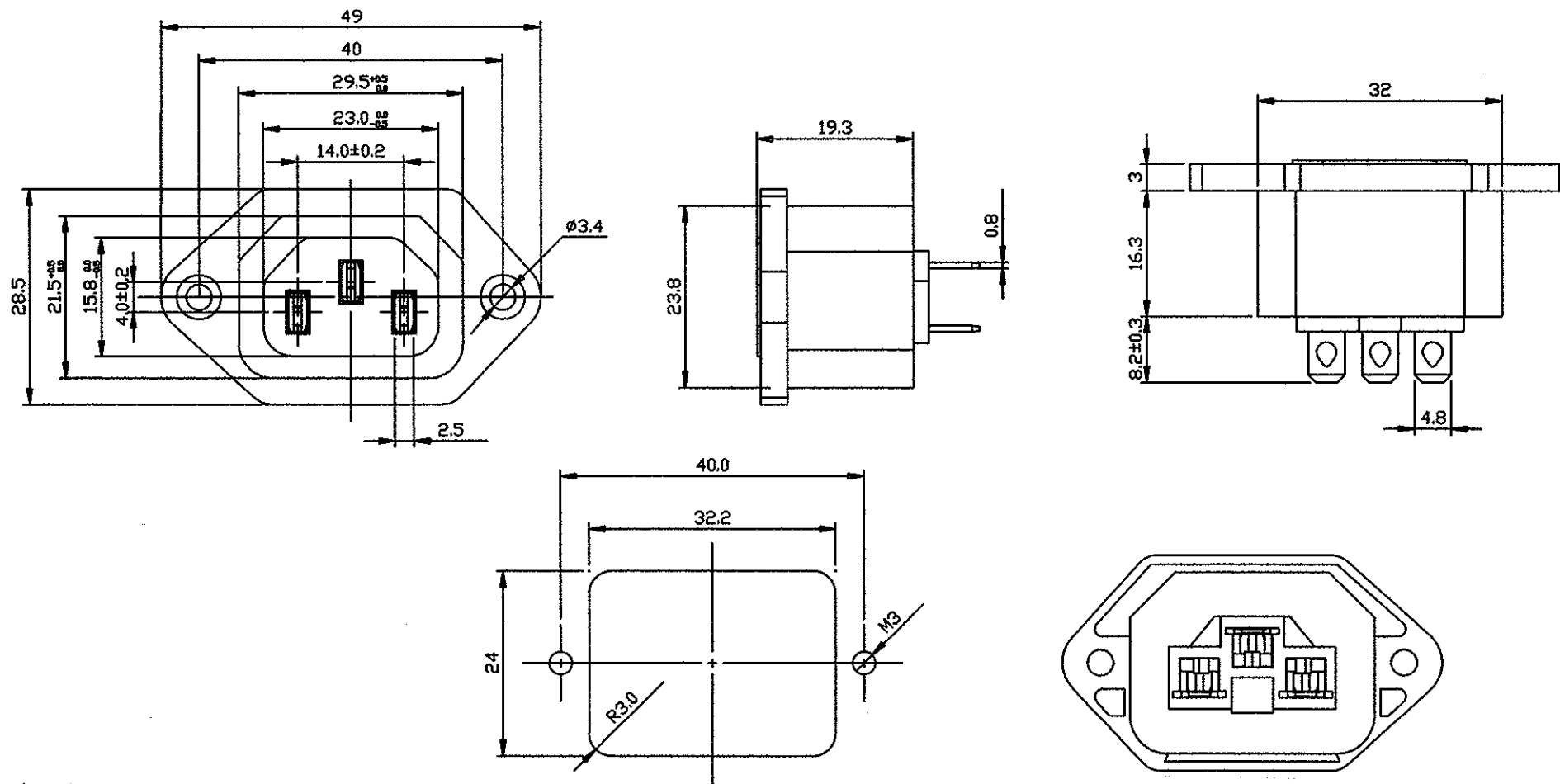


RoHS  
Compliant  
Drawing For  
Reference Only



Technical requirement :

1. This product should meet EU RoHS related requirement.
2. The surface of plastic part should be without any crackle such as burr,lack,and so on phenomenon.
3. The surface of metal part should be without any defect such as scour,nick,oxidation and plating problem.
4. The electronic performance should be the same as spec.
5. The un-specified tolerance is : <math> < 6 \pm 0.1 </math>  
                                   6~20 $\pm 0.2$   
                                   >20 $\pm 0.3$

**Specification:** 10A 250Vac ; 15A250Vac.  
**Approvals:** UL;VDE;CCC;SEMKO;DEMKO;NEMKO;FIMKO.  
**Dielectric withstand voltage:** 2000V ac 1min.  
**Insulation resistance:**  $\geq 100M\Omega$  DC500V 1min.  
**LIFE TEST:**  $\geq 6,000$  CYCLES.

<b>DCI DRAGON CITY INDUSTRIES LIMITED</b>			Design	K.W Law	Remark	Scale	
			Drawing	W.K Yeung	Remark	Material	
Item Name	AC Socket	Tolerance :	Check	K.L Wong	Remark	Drawing No.	91130-1450
Item No.	AS-208-UL-EN	Unit : mm	Approval	K.W Chan	Remark	Sheet	