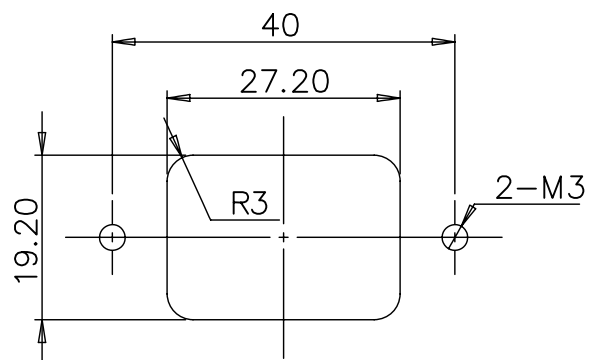
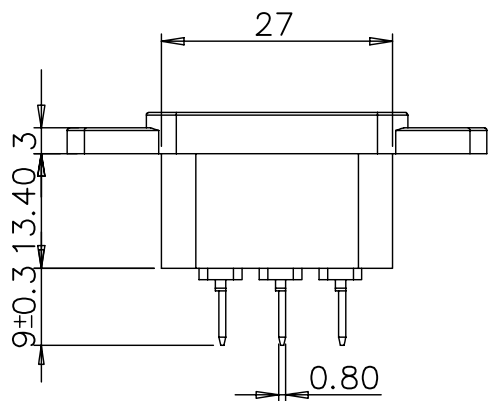
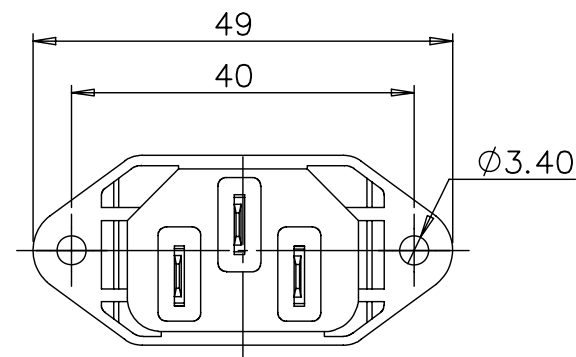
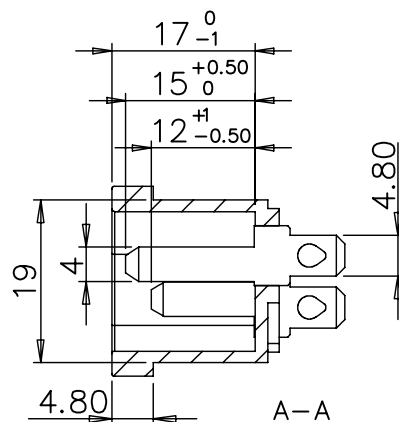
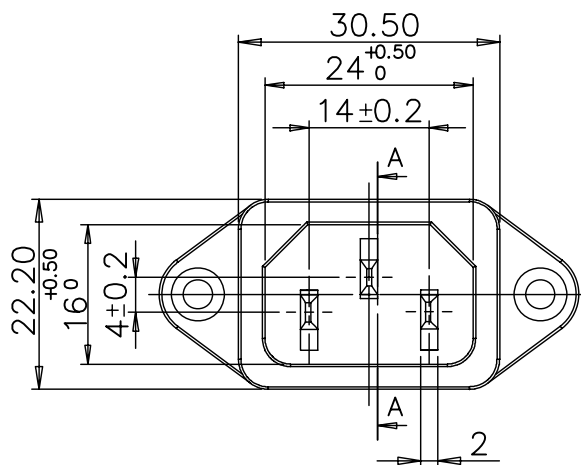


RoHS
Compliant
Drawing For
Reference Only



PANEL CUT-OUT

Technical requirement :

1. This product should meet EU RoHS related requirement.
2. The surface of plastic part should be without any crackle such as burr,lack,and so on phenomenon.
3. The surface of metal part should be without any defect such as scaur,nick,oxidation and plating problem.
4. The electronic performance should be the same as spec.
5. The un-specified tolerance is : <math> < 6 \pm 0.1 </math>
$6 \sim 20 \pm 0.2$
$> 20 \pm 0.3$

Specification : 10A 250Vac ; 15A 250Vac.
 Apporvals : UL ; VDE ; CCC ; EK ; SEMKO ; DEMKO ; NEMKO ; FIMKO.
 Dielectric withstand voltage : 2000V ac 1min.
 Insulation resistance : $\geq 100M\Omega$ DC500V 1min.
 Life test : $\geq 6,000$ Cycles.

DCI DRAGON CITY INDUSTRIES LIMITED

Design	K.W Law	Remark		Scale	
Drawing	W.K Yeung	Remark		Material	
Check	K.L Wong	Remark		Drawing No.	81113-1131
Approval	K.W Chan	Remark		Sheet	

Item Name	AC Socket	Tolerance :
Item No.	AS-207-UL-EN	Unit : mm