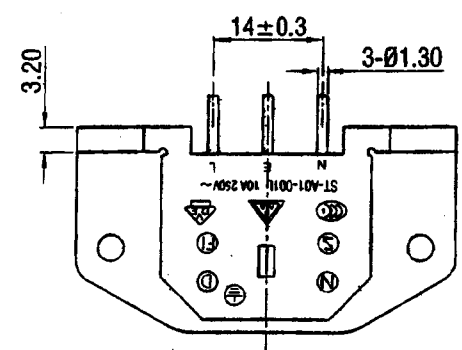
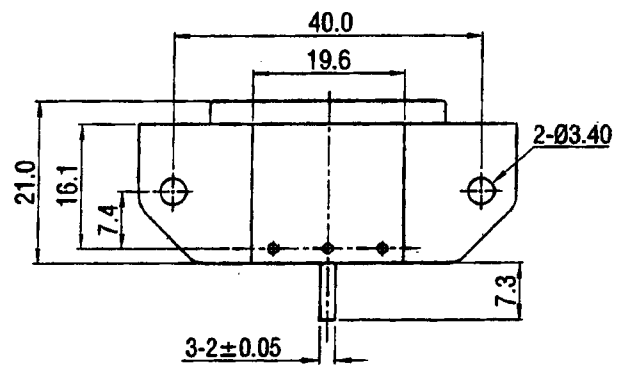
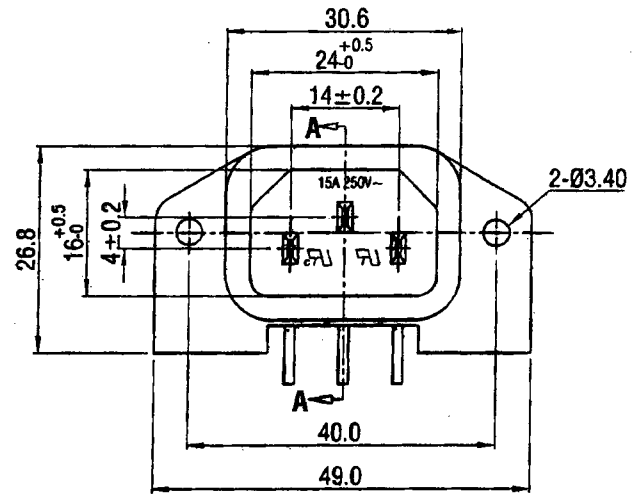
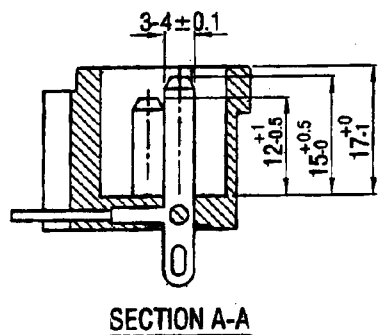
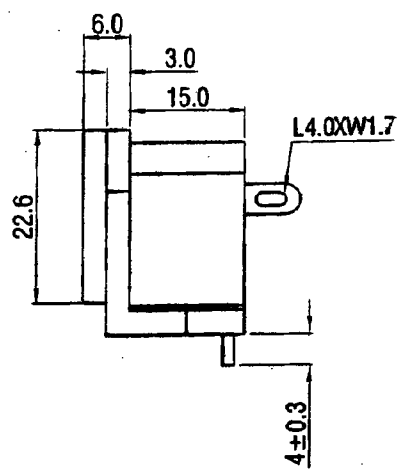
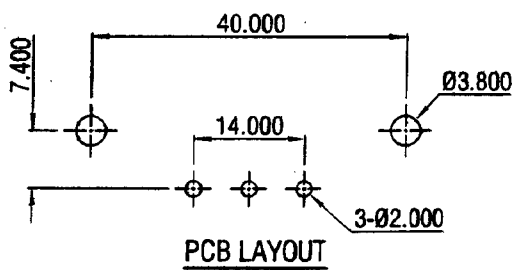
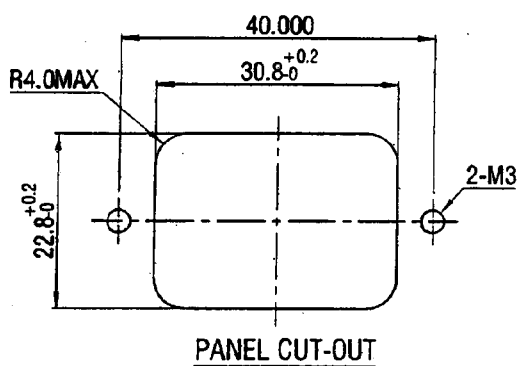


RoHS
Compliant
Drawing For
Reference Only



SPEC:

- A. Material:
- Housing: PBT WITH G/F30% UL 94V-0
 - Terminal: COPPER ALLOY, TIN PLATED
- B. Electrical Characteristics:
- Rating: 15A 250V~ (UL,CUL)
10A 250V~ (CCC,VDE,SEMKO,NEMKO,FIMKO,DEMKO,SAA)
 - Electric Strength: AC 2,000 V FOR ONE MINUTE
 - Insulation Resistance: 100MΩ MIN, AT 500V DC
- C. Approvals:
- UL, CUL, CCC, VDE, SEMKO, NEMKO, FIMKO, DEMKO, SAA

- Technical requirement :
- This product should meet EU RoHS related requirement.
 - The surface of plastic part should be without any crackle such as burr,lack,and so on phenomenon.
 - The surface of metal part should be without any defect such as scaur,nick,oxidation and plating problem.
 - The electronic performance should be the same as spec.
 - The un-specified tolerance is : -6 ± 0.2
$6\sim 20\pm 0.3$
>20±0.4

DCI DRAGON CITY INDUSTRIES LIMITED

Item Name	AC SOCKET	Tolerance :	Design	K.W Law	Remark	Scale
Item No.	AS-205-UL-EN	Unit : mm	Drawing	W.K Yeung	Remark	Material
			Check	K.L Wong	Remark	Drawing No. A21102-1530
			Approval	K.W Chan	Remark	Sheet