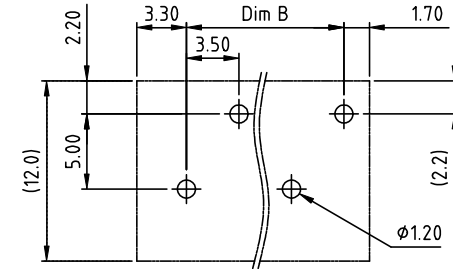
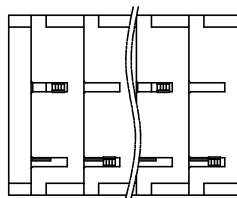
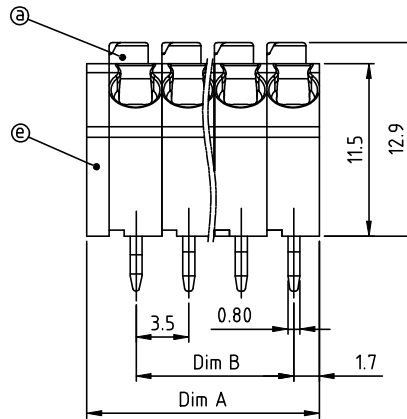
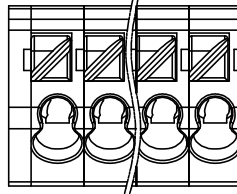
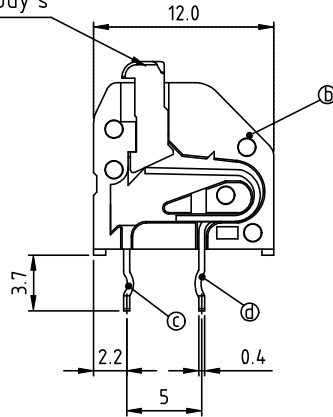




PRODUCT NUMBER	PITCH
HCxx00x000J0G	3.50mm

The color of lever is consistent with body's



RECOMMENDED P.C.B LAYOUT  
TOP VIEW

Material:

- Item (a) Insulator (lever): Thermoplastic (UL94V-0)
- Item (b) Insulator (housing): Thermoplastic (UL94V-0)
- Item (c) Side contact pin: PhBz (C5210 SH), Tin plated.
- Item (d) Center contact pin: PhBz (C5210 SH), Tin plated.
- Item (e) Side Cover: Thermoplastic (UL94V-0)

Electrical:	cULus	VDE	CQC	TUV
● Voltage rating:	300V	130V	300V	500V
● Current rating:	6A	6A	6A	8A
● Wire range:		0.5-0.75 mm <sup>2</sup>		0.5-1.5 mm <sup>2</sup>
● Solid wire (AWG):	16-22		20	
● Stranded wire (AWG):	16-22		20	
● Wire strip length:	8.5-10.0mm			
● Withstanding Voltage:	1.6KV	1.25KV	2.5 KV	4KV
● Operating temperature:	-40°C to +115°C			
● Soldering temperature:	260°C ±5°C/5 Sec			
● Safety Approval:				

A

A

N=Number of poles  
 Dim A=N×3.5+1.5  
 Dim B=(N-1)×3.5

Poles	Tolerance
2p/4p/6p	±0.10
8p/10p/12p	±0.15
14p/16p/18p	±0.20
20p/22p/24p	±0.30

PART NO.: HC xx 00 x 000J0 G

No. of poles	0	Black (RAL9005)	RoHS compliant (lead<4%)
End Stackable	2	Red (RAL3001/D)	In copper Alloy
02 2 poles	3	Orange (RAL2011/P)	
04 4 poles	4	Yellow (RAL1018/A)	
... ..	5	Green (RAL6018/T)	
24 24 poles	6	Blue (RAL5015/A)	
	8	Grey (RAL7004/P)	
	9	White (RAL1102)	
	C	Multiple colors	

mat'l. code		surface ASME Y14.5	tolerance ASME Y14.5	projection	product family	
tr ecn no dr date		tolerances unless otherwise specified			TERMINAL BLOCK	
		angles	X.±0.5	MM	title	
		linear	X.X±0.3		TERMINAL BLOCK	
		X'±1"	X.XX±0.1	scale	SPRING CLAMP, 45D WIRE INLET, WITH LEVER, EVEN POLES	
		dr	EVIN ZHONG 052314		dwg no sheet 1 of 2 size	
		enr	EVIN ZHONG 052314		HCxx00x000J0G A4	
		chr	HANKE FENG 052314		type CUSTOMER Drawing	
		appd	SHI JUN 052314			
sheet index	revision sheet	A 1				

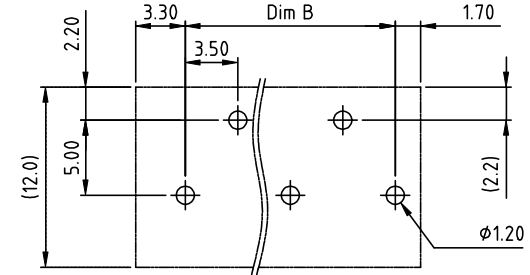
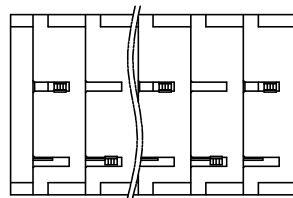
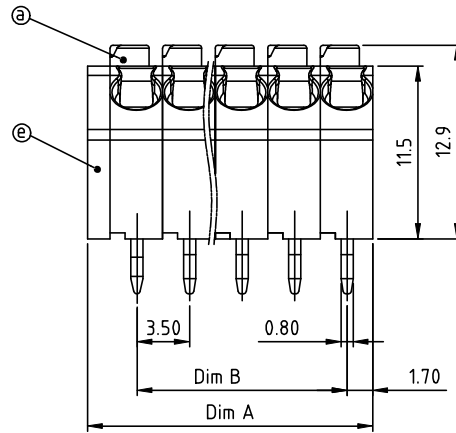
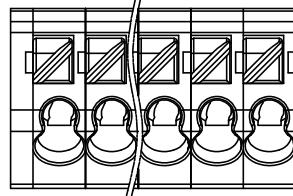
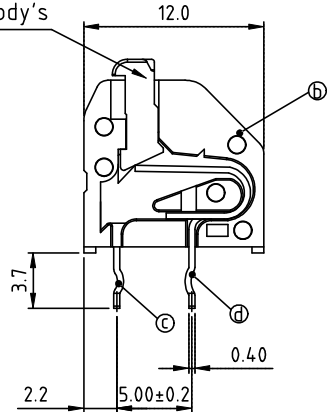
B

B



PRODUCT NUMBER	PITCH
HCxx00x000J0G	3.50mm

The color of lever is consistent with body's



RECOMMENDED P.C.B LAYOUT  
TOP VIEW

Material:

- Item①Insulator(lever):Thermoplastic (UL94V-0)
- Item②Insulator(housing):Thermoplastic (UL94V-0)
- Item③Side contact pin: PhBz (C5210 SH), Tin plated.
- Item④Center contact pin: PhBz (C5210 SH), Tin plated.
- Item⑤Side Cover: Thermoplastic ( UL94V-0 )

Electrical:	cULus	VDE	CQC	TUV
● Voltage rating:	300V	130V	300V	500V
● Current rating:	6A	6A	6A	8A
● Wire range:		0.5-0.75 mm <sup>2</sup>		0.5-1.5 mm <sup>2</sup>
● Solid wire(AWG):	16-22		20	
● Stranded wire(AWG):	16-22		20	
● Wire strip length:	8.5-10.0mm			
● Withstanding Voltage:	1.6KV	1.25KV	2.5 KV	4KV
● Operating temperature:	-40°C to +115°C			
● Soldering temperature:	260°C ±5°C/5 Sec			
● Safety Approval:				

A

A

N=Number of poles  
 Dim A=N×3.5+1.5  
 Dim B=(N-1)×3.5

Poles	Tolerance
3p/5p	±0.10
7p/9p/11p	±0.15
13p/15p/17p	±0.20
19p/21p/23p	±0.30

PART NO.: HC xx 00 x 000J0 G

No. of poles	Body Color	RoHS compliant
0	Black (RAL9005)	(lead<4%)
End Stackable	2 Red (RAL3001/D)	In copper Alloy
03 3 poles	3 Orange(RAL2011/P)	
05 5 poles	4 Yellow(RAL1018/A)	
...	5 Green(RAL6018/T)	
23 23 poles	6 Blue (RAL5015/A)	
	8 Grey(RAL7004/P)	
	9 White(RAL1102)	
	C Multiple colors	

mat'l. code		surface ASME Y14.5	tolerance ASME Y14.5	projection	product family
ltr ecn no dr date		tolerances unless otherwise specified			TERMINAL BLOCK
		angles	X.±0.5	MM	title
		linear	X.X±0.3		TERMINAL BLOCK
		X'±1"	X.XX±0.1	scale	SPRING CLAMP,45D WIRE INLET,WITH LEVER,ODD POLES
		dr	EVIN ZHONG 052314		dwg no
		enrg	EVIN ZHONG 052314		sheet 2 of 2 size
		chr	HANKE FENG 052314		HCxx00x000J0G
		appd	SHI JUN 052314		A4
					type
					CUSTOMER Drawing
sheet index	revision sheet	A	2		

B

B