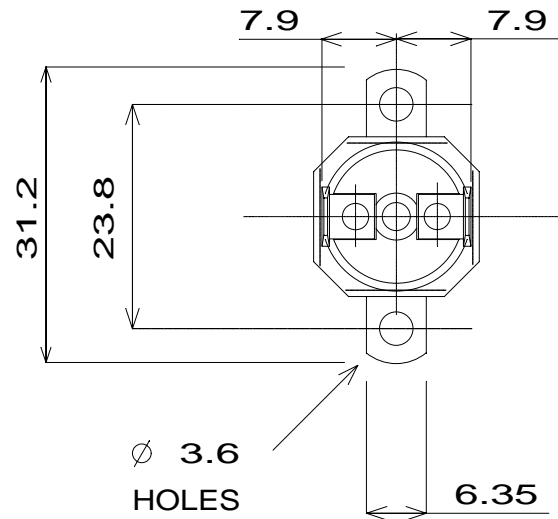


DO NOT SCALE ALL DIMENSIONS ARE FOR REFERENCE ONLY

OPERATING CRITERIA

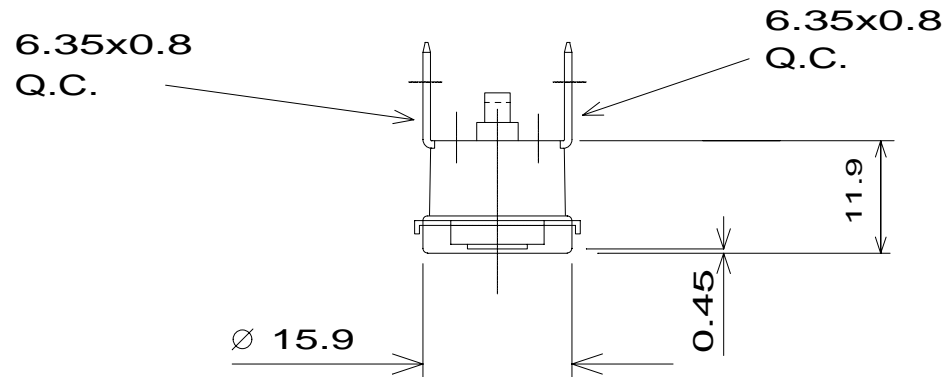


VOLTS; 220 AMPS; 6 HZ;

OPERATING TEMPS. DEG. C

OPEN; 90 ± 5

CLOSE; MR



NOTE! ORIENTATION OF BRACKET IS NOT FIXED

ISSUE										
MOD No										
MTH/YR										

CODING REQUIREMENTS

COLOUR; SILVER OR WHITE
L90C 9098 508 XXX

(XXX = DATE CODING)

CAP; B200 MAT'L; ALUMINIUM
BRK'T; B203S MAT'L; STEEL
PLATING; NICKEL

TERMINAL; T147 T147
MATERIAL; BRASS BRASS
PLATING;

ELMWOOD DEVICE & UNIQUE PART No
2455RM-9098-508

ELMWOOD DRG No. ISSUE
925275



**ELMWOOD
SENSORS LTD**

DATE OF ISSUE STAMP