

DO NOT SCALE ALL DIMENSIONS ARE FOR REFERENCE ONLY

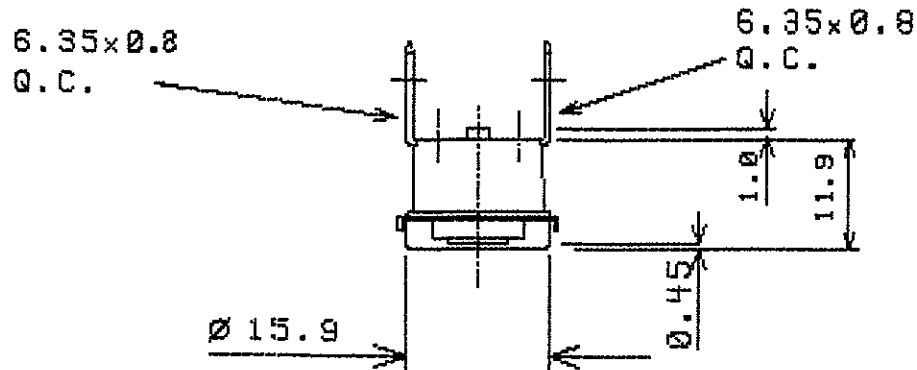
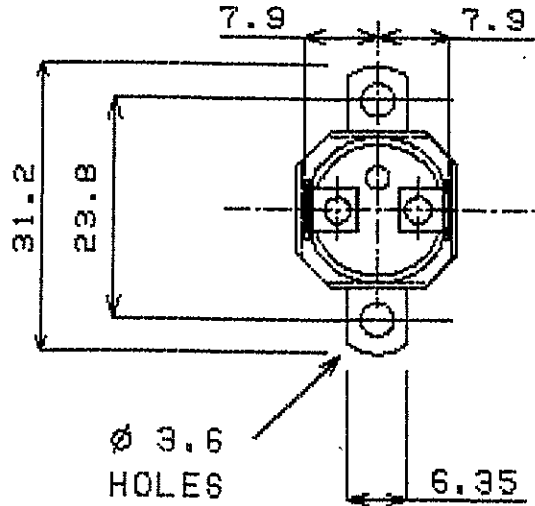
OPERATING CRITERIA

VOLTS: 24 DC AMPS: 100 M/A HZ:

OPERATING TEMPS. DEG.C

OPEN: 100 ± 4

CLOSE: 80 ± 7



NOTE! ORIENTATION OF BRACKET IS NOT FIXED

ISSUE	A								
MOD No	3463								
MTH/YR	04/99								

CODING REQUIREMENTS

COLOUR: SILVER OR WHITE
 L100C 9098 403 XXX
 COLOUR SPOT BLUE
 (XXX = DATE CODING)

CAP: B200 MAT'L: ALUMINIUM
 BRKT: B2035 MAT'L: STEEL
 PLATING: NICKEL
 TERMINAL: T147 : T147
 MATERIAL: BRASS : BRASS
 PLATING: SILVER : SILVER

ELMWOOD DEVICE & UNIQUE PART No.
 2455R-9098-403

ELMWOOD DRG No. 965215
 ISSUE A



ELMWOOD
 SENSORS LTD

DATE OF ISSUE STAMP
 4 MAY 1999