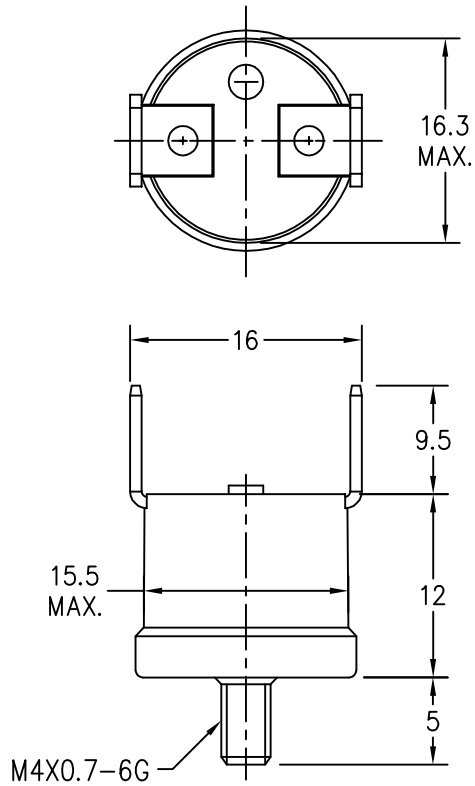


ALL DIMENSIONS ARE FOR REFERENCE ONLY

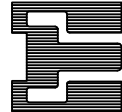
DO NOT SCALE DRAWING

ALL DIMENSIONS IN mm UNLESS STATED



<u>OPERATING CRITERIA</u>	
VOLT:	220VAC
AMPS:	15A
<u>OPERATING CRITERIA</u>	
OPEN:	120° ± 3°C
CLOSE:	110° ± 4°C

DRAWN BY	ISSUE	-				
	MOD NO.	-				
	MTH/YR	-				

<u>CODING REQUIREMENTS</u> COLOUR: LASER L120C 2455R-7913-477-XXX (XXX = DATE CODING)	CAP:	MAT'L:	ELMWOOD DEVICE & UNIQUE PART NUMBER 2455R--79130477	DATE OF ISSUE STAMP	
	BRK'T: B901	MAT'L: BRASS PLATING:			
	TERMINAL: T147	MATERIAL: BRASS	 Elmwood Sensors	ELMWOOD DRW NO.	ISSUE
MATERIAL: BRASS	PLATING: NICKEL	070121			