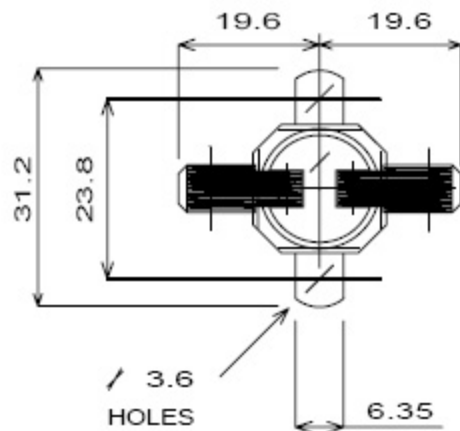


DO NOT SCALE ALL DIMENSIONS ARE FOR REFERENCE ONLY

OPERATING CRITERIA

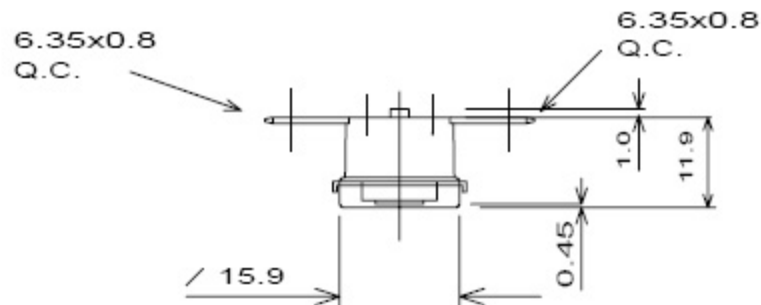


VOLTS;                      AMPS;                      HZ;

OPERATING TEMPS. DEG. C

OPEN; 13                      ± 3

CLOSE; 4                      ± 3



NOTE! ORIENTATION OF BRACKET IS NOT FIXED

CODING REQUIREMENTS

COLOUR; SILVER OR WHITE  
L13C 100 81                      XXX

(XXX - DATE CODING)

CAP; B200                      MAT'L; ALUMINIUM  
BRKT; B203S                      MAT'L; ST/STEEL

PLATING;  
TERMINAL; T146                      T146  
MATERIAL; BRASS                      BRASS  
PLATING;

ISSUE									
MOD No									
DATE									

ELMWOOD DEVICE & UNIQUE PART No	ELMWOOD DRG No.	ISSUE
2455R 100 81	880099	

	ELMWOOD SENSORS LTD	DATE OF ISSUE STAMP