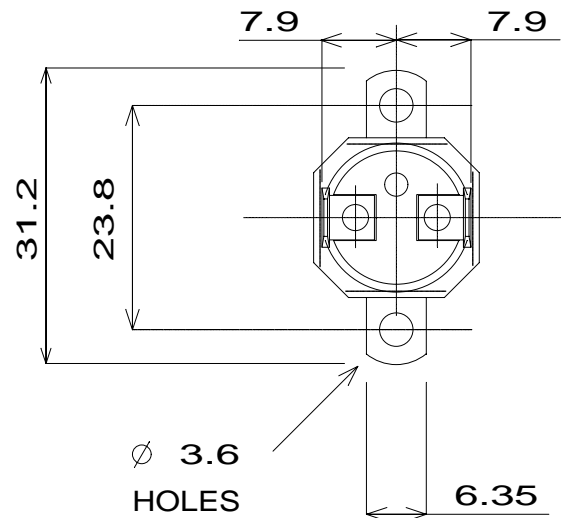


DO NOT SCALE ALL DIMENSIONS ARE FOR REFERENCE ONLY

OPERATING CRITERIA

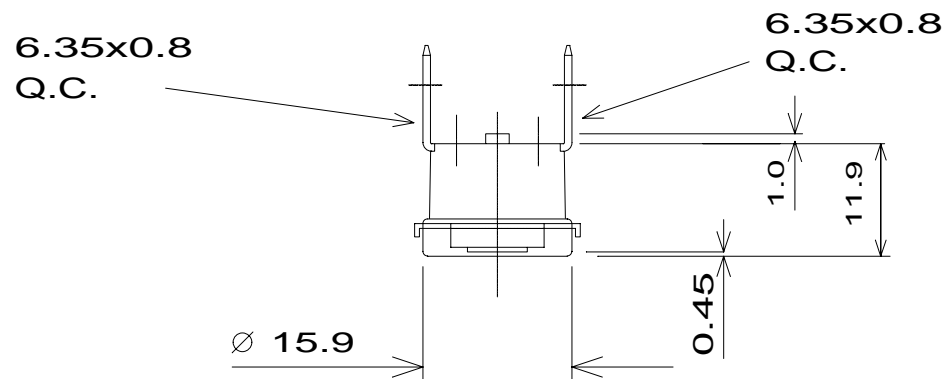


VOLTS; 24 DC AMPS; 0.8 HZ;

OPERATING TEMPS. DEG. C

OPEN; 110 ± 4

CLOSE; 90 ± 6



NOTE! ORIENTATION OF BRACKET IS NOT FIXED

ISSUE	A								
MOD No	2995								
MTH/YR	12/96								

CODING REQUIREMENTS

COLOUR; SILVER OR WHITE
L110C 98 789 XXX

(XXX = DATE CODING)

CAP; B200 MAT'L; ALUMINIUM
BRK'T; B203S MAT'L; STEEL
PLATING; NICKEL

TERMINAL; T147	T147
MATERIAL; BRASS	BRASS
PLATING; SILVER	SILVER

ELMWOOD DEVICE & UNIQUE PART No
2455R-98-789

ELMWOOD DRG No. 895031	ISSUE A
---------------------------	------------



**ELMWOOD
SENSORS LTD**

DATE OF ISSUE STAMP