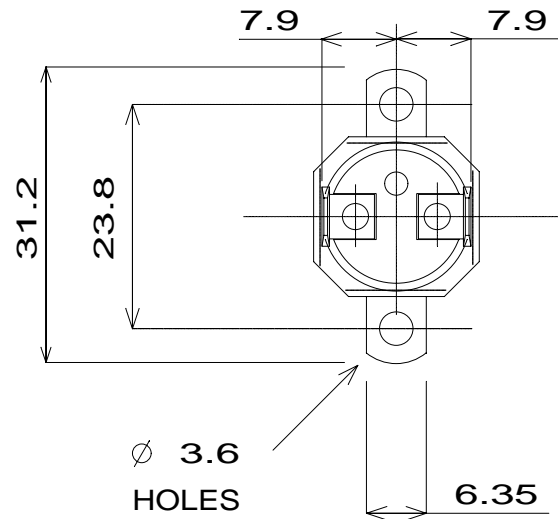


DO NOT SCALE ALL DIMENSIONS ARE FOR REFERENCE ONLY

OPERATING CRITERIA

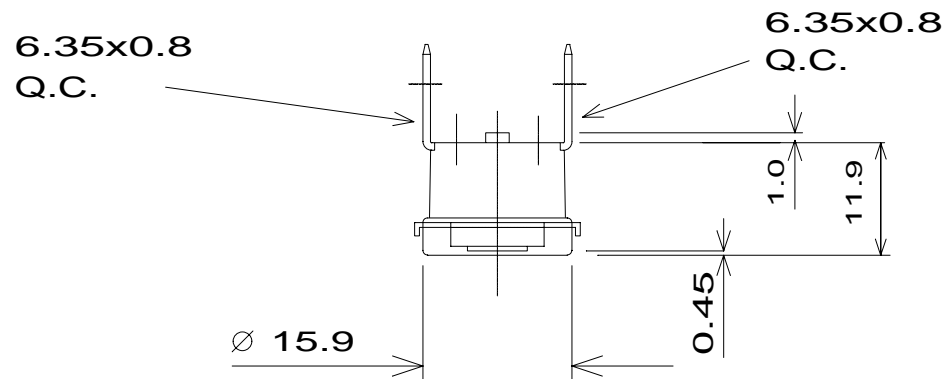


VOLTS; 220 AMPS; 10 HZ;

OPERATING TEMPS. DEG. C

OPEN; 120 ± 4

CLOSE; 100 ± 6



NOTE! ORIENTATION OF BRACKET IS NOT FIXED

ISSUE									
MOD No									
MTH/YR									

CODING REQUIREMENTS

COLOUR; SILVER OR WHITE
L120C 98 645 XXX

(XXX = DATE CODING)

CAP; B200 MAT'L; ALUMINIUM
BRK'T; B203S MAT'L; STEEL
PLATING; NICKEL

TERMINAL; T147	T147
MATERIAL; BRASS	BRASS
PLATING; NICKEL	NICKEL

ELMWOOD DEVICE & UNIQUE PART No
2455R-98-645

ELMWOOD DRG No. 905411	ISSUE
---------------------------	-------



**ELMWOOD
SENSORS LTD**

DATE OF ISSUE STAMP