

DO NOT SCALE ALL DIMENSIONS ARE FOR REFERENCE ONLY

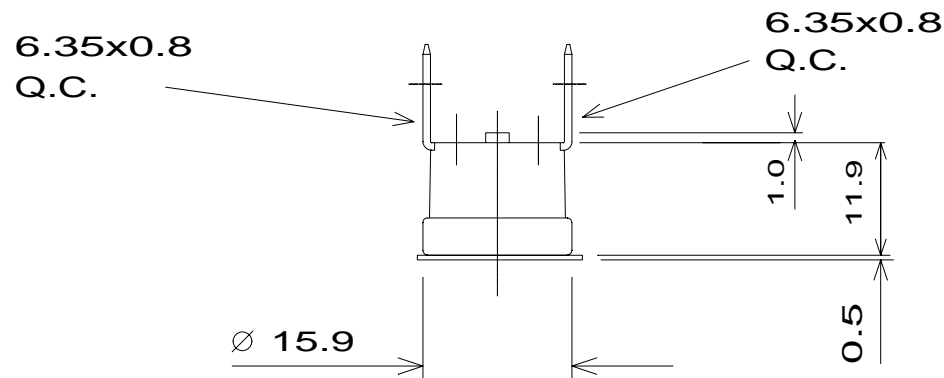
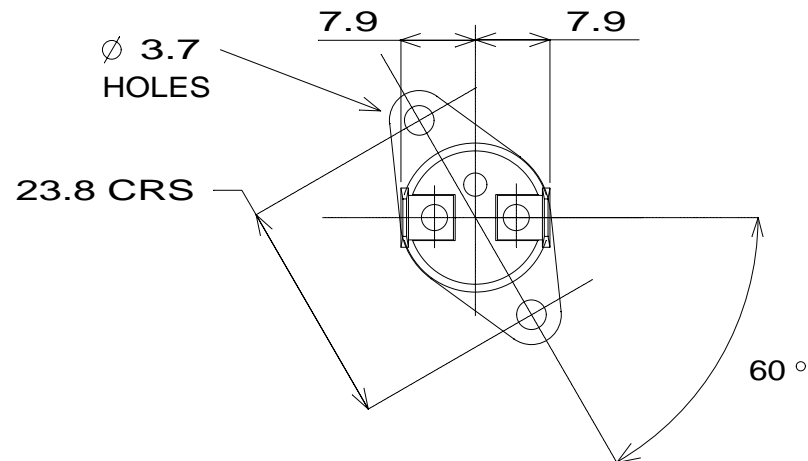
OPERATING CRITERIA

VOLTS; 30 D/C AMPS; 5 HZ;

OPERATING TEMPS. DEG. C

OPEN; 120 ± 3

CLOSE; 105 ± 5



ISSUE	A	B	C	D					
MOD No	2140	2171	2193	3358					
MTH/YR	12/92	2/93	3/93	7/98					

CODING REQUIREMENTS

COLOUR; LASER CODE
L120C 82 715 XXX

(XXX = DATE CODING)

CAP; MAT'L;
BRK'T; B201A13 MAT'L; ST/STEEL
PLATING;

TERMINAL; T147	T147
MATERIAL; BRASS	BRASS
PLATING; SILVER	SILVER

ELMWOOD DEVICE & UNIQUE PART No
2455R-82-715

ELMWOOD DRG No.
882743

ISSUE
D



**ELMWOOD
SENSORS LTD**

DATE OF ISSUE STAMP