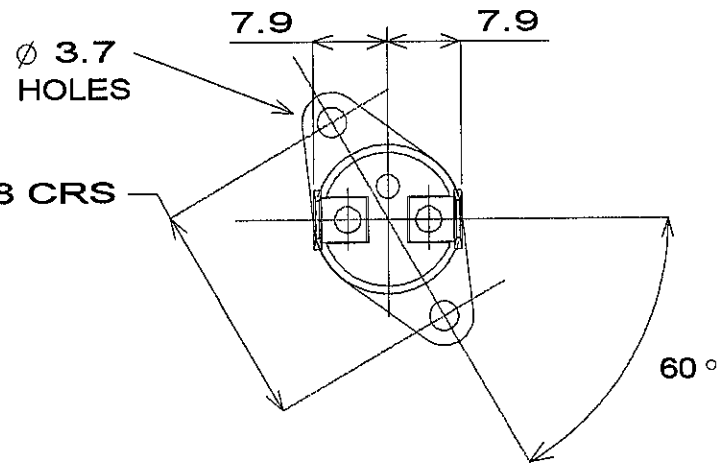


DO NOT SCALE ALL DIMENSIONS ARE FOR REFERENCE ONLY

**OPERATING CRITERIA**

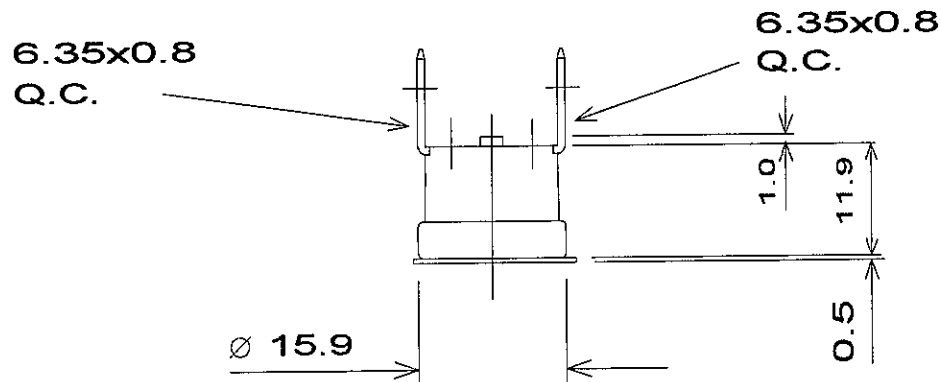


VOLTS; 30 DC      AMPS; 5      HZ;


**OPERATING TEMPS. DEG. C**

OPEN; 60      ± 3  
 CLOSE; 75      ± 5

SEE CONCESSION  
 NUMBER 1657  
 (PIPPED BASE)



ISSUE	A	B							
MOD No	2137	3358							
MTH/YR	12/92	7/98							

<b>CODING REQUIREMENTS</b> COLOUR; LASER CODE <b>F75C 82 712      XXX</b> (XXX = DATE CODING)	CAP;                      MAT'L; BRKT; B201A13      MAT'L; ST/STEEL PLATING;	ELMWOOD DEVICE & UNIQUE PART No <b>2455R-82-712</b>	ELMWOOD DRG No. <b>895222</b>	ISSUE B
	TERMINAL; T147      T147 MATERIAL; BRASS      BRASS PLATING;	 <b>ELMWOOD                  SENSORS LTD</b>	DATE OF ISSUE STAMP 