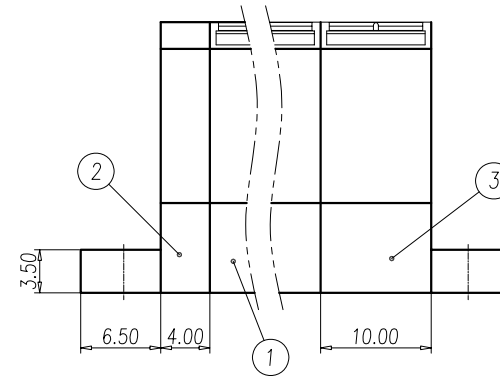
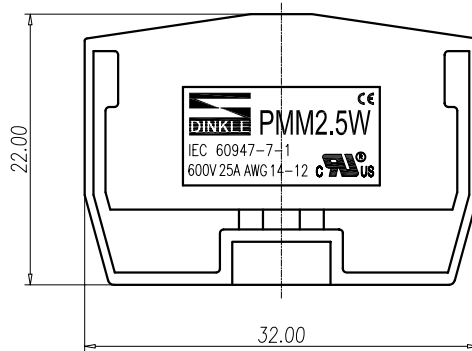
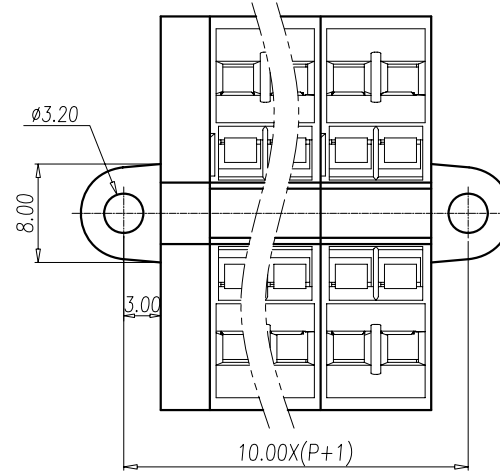


NOTES:

1. Rating: 600V 25A (IEC 800V 24A)
PITCH: 10.0mm
2. Insulation Resistance:
500MΩ or more at DC500V
3. Using Temperature Range:
-40°C~+105°C
4. Suitable Electric Wire: AWG 14~12 (0.5-2.5mm²)
5. RoHS Compliance



Normal Geometric Tolerancing				
—	//	≡	⊥	
0 to 100	0.2	0.3	0 to 10	0.2
over 100 to 150	0.3		over 10	0.3
over 150	0.5			
Total Pitch Tolerances		Normal dimension Tolerances		
0<U≤30	±0.20	0~30	±0.25	
30<U≤53	±0.25	over 30~53	±0.30	
53<U≤70	±0.30	over 53~70	±0.35	
70<U≤90	±0.35	over 70~90	±0.44	
90<U≤115	±0.44	over 90~115	±0.55	
115<U≤150	±0.55	over 115~150	±0.70	
150<U≤200	±0.70	over 150~200	±0.85	
200<U≤250	±0.85	over 200~250	±1.00	
250<U≤320	±1.00	over 250~320	±1.20	

ITEM	NAME OF PART	MATERIAL	NOTES
5	SOLDEN PIN	COPPER ALLOY	Tin Plated
4	CLAMP	STAINLESS STEEL	
3	END COVER 2	PA66	UL94-V0 GREY
2	END COVER 1	PA66	UL94-V0 GREY
1	HOUSING	PA66	UL94-V0 GREY

DWG.	LWF	DATE	13.07.19	UNITS	MM	SHEET/OF	1 / 1
CHK.		DATE		SCALE	2.3:1 (:)		
APP.		DATE		NAME		PMM2.5W-XXP	
				DINKLE ENTERPRISE CO.,LTD		DWG NO.	SP-03-PM25WP0

REV.	CONTENT	CHK.	DATE
4			