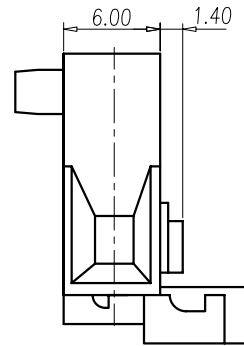
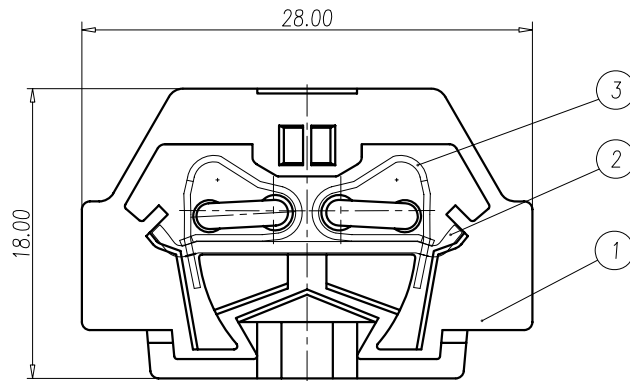
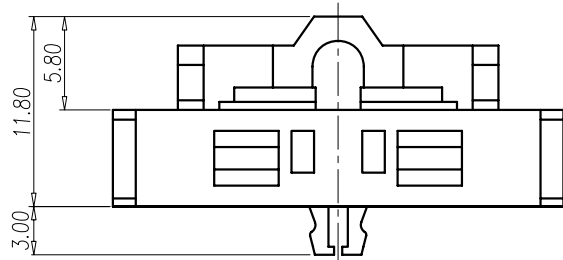


Normal Geometric Tolerancing				
—	//	≡	⊥	
0 to 100	0.2	0.3	0 to 10	0.2
over 100 to 150	0.3		over 10	0.3
over 150	0.5			
Total Pitch Tolerances		Normal dimension Tolerances		
0<U≤30	±0.20	0~30	±0.25	
30<U≤53	±0.25	over 30~53	±0.30	
53<U≤70	±0.30	over 53~70	±0.35	
70<U≤90	±0.35	over 70~90	±0.44	



NOTES:

1. Rating: 600V 25A
PITCH: 6.00mm
2. Insulation Withstands Voltage:
AC 2200V at 1 minute
3. Insulation Resistance:
500MΩ or more at DC500V
4. Using Temperature Range:
-40°C~+105°C
5. Suitable Electric Wire: AWG 14~12
6. RoHS Compliance

3	CLAMP	STEEL	
2	CONDUCTOR	COPPER ALLOY	Tin Plated
1	HOUSING	PA66	UL94-V0 GRAY
ITEM	NAME OF PART	MATERIAL	NOTES

DWG.	HGH	DATE	12.05.07	UNITS	MM	SHEET/OF	1 / 1
CHK.		DATE		SCALE	3:1 (:)		
APP.		DATE					

				DINKLE ENTERPRISE CO.,LTD	NAME	PM2.5WS
	REV.	CONTENT	CHK.		DATE	DWG NO.