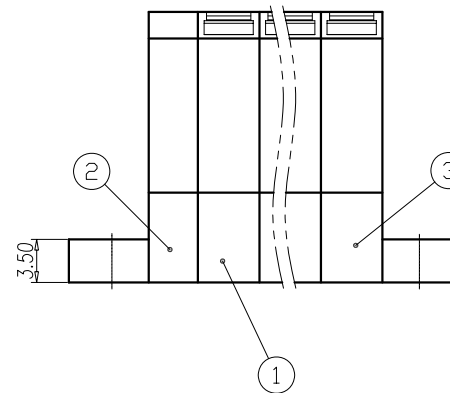
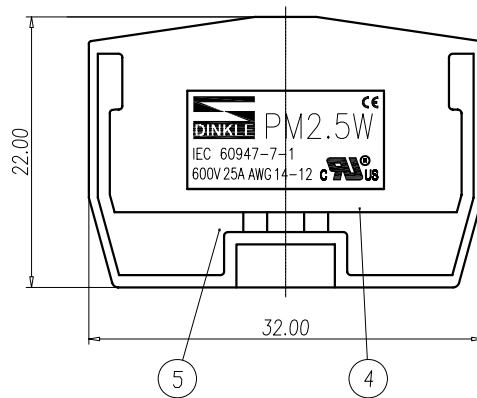


NOTES:

1. Rating: UL 600V 25A IEC800V 24A
PITCH: 5.10mm
2. Insulation Resistance:
500MΩ or more at DC500V
3. Using Temperature Range:
-40°C~+105°C
4. Suitable Electric Wire: AWG 14~12



Normal Geometric Tolerancing			
—	//	≡	⊥
0 to 100	0.2	0 to 10	0.2
over 100 to 150	0.3	over 10	0.3
over 150	0.5		
Total Pitch Tolerances		Normal dimension Tolerances	
0<U<=30	±0.20	0~30	±0.25
30<U<=53	±0.25	over 30~53	±0.30
53<U<=70	±0.30	over 53~70	±0.35
70<U<=90	±0.35	over 70~90	±0.44
90<U<=115	±0.44	over 90~115	±0.55
115<U<=150	±0.55	over 115~150	±0.70

ITEM	NAME OF PART	MATERIAL	NOTES
5	SOLDEN PIN	COPPER ALLOY	Tin Plated
4	CLAMP	STAINLESS STEEL	
3	END COVER 2	PA66	UL94-V0 GRAY
2	END COVER 1	PA66	UL94-V0 GRAY
1	HOUSING	PA66	UL94-V0 GRAY

DWG.	LWF	DATE	13.07.19	UNITS	MM	SHEET/OF	1 / 1
CHK.		DATE		SCALE	2.3:1 (:)		
APP.		DATE		NAME		PM2.5W-XXP	
				DINKLE ENTERPRISE CO., LTD		DWG NO. SP-03-PM25WP00	

REV.	CONTENT	CHK.	DATE
4			