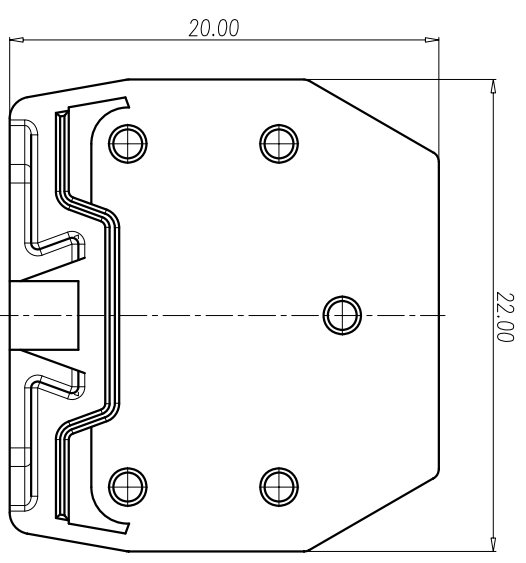
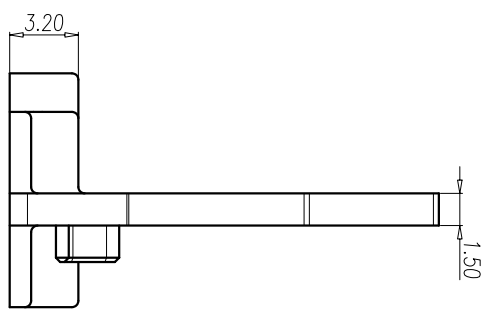
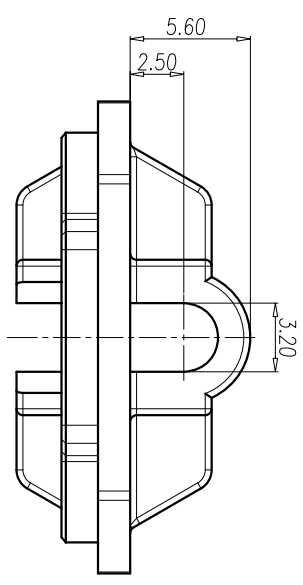


Normal Geometric Tolerancing	
—	
0 to 100 over 100 to 150 over 150	0.2 0.3 0.5
0 to 10 over 10	0.2 0.3
Total Pitch Tolerances	
0<U<=30 30<U<=53 53<U<=70 70<U<=90	±0.20 ±0.25 ±0.30 ±0.35
Normal dimension Tolerances	
0~30 30~53 53~70 70~90	±0.25 ±0.30 ±0.35 ±0.44



NOTE:  
1. RoHS Compliance

REV.	CONTENT	CHK.	DATE

ITEM	NAME OF PART	MATERIAL	NOTES
1	END COVER	PAG6	UL94-V0 GRAY

DWG.	DATE	UNITS	SCALE	SHEET/OF
Hgx	10.07.06	MM	4:1	1/1

CHK.	DATE	APP.	DATE

**DINKLE**  
ENTERPRISE CO., LTD  
DWG NO. SP-03-PM25NCC00